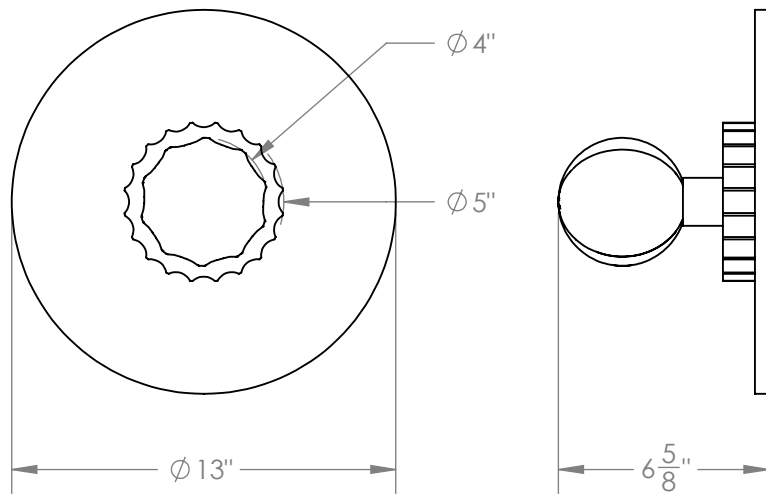


CERAMIC SCONCE - LARGE



Composed of hand blown ridged glass, a glazed scalloped puck, and topped off with a large unglazed ceramic disc. The textural differences are picked up beautifully by the light.



Materials

Ceramic
Glass
Steel

Standard Finishes

Antique Brass
Unglazed Ceramic
Cream Glazed Ceramic
White Frosted Glass

Dimensions

13" W x 13" H x 6-⁵/₈" D

Notes

Lamping: 1 G9 bulb, max 50W each. 4.5W dimmable LED bulb included. 450 lumens, 2700K color temperature. 120V, UL approved. (240V available)

Retail

\$2,500

Lead Time

8-10 Weeks

Customization Available - please contact us. **Weight** ~8 lbs