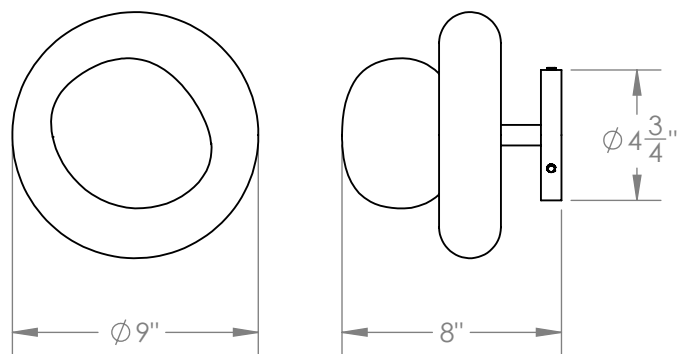


# CELL SCONCE



An organic clay sculpture that has been cast in hot-patinated bronze. The addition of hand-blown glass completes this sculptural light form.



## Materials

Cast Bronze  
Glass  
Brass

## Standard Finishes

Sulfur Bronze  
White Frosted Glass

## Dimensions

9" W x 9" H x 8" D

## Notes

Lamping: 1 G9 bulb, max 75W. 4.5W dimmable LED bulb included. 450 lumens, 2700K color temperature.

120V, UL approved. (240V available)

Available with wall plug and inline dimmer: +\$250. Also available as a pendant upon request.

## Retail

\$10,750

## Lead Time

22-24 Weeks

**Customization** Available - please contact us. **Weight** ~20 lbs