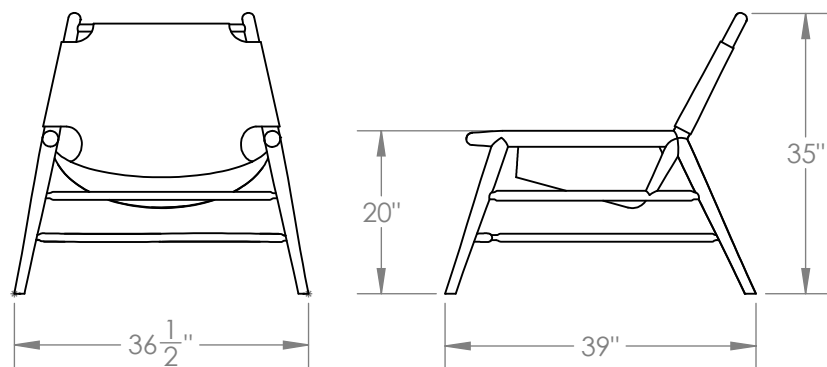


MILK SLING CHAIR



Made from maple stained to a rich black and upholstered in fabric from our Japanese Textile Collection. The intricate “milk bottle” shaped detail on the joinery gives rise to the name of the piece.



Materials

Hard Maple
Textile
Leather

Standard Finishes

Ebony Stain
Japanese Textile
Black Leather

Dimensions

36- $\frac{1}{2}$ " W x 35" H x 39" D

Notes

Prices DO NOT include upholstery material, as pictured. Also available with COM or our Japanese textile series, as pictured. Please inquire for pricing. (2 yards fabric face, 1 hide rear leather).

Retail

\$13,500

Lead Time

18-20 Weeks

Customization Available - please contact us. **Weight** ~20 lbs