

Wood Court II 13"


ALLIED MAKER

WAL-067



DESCRIPTION

The Court II is an up-down sconce that delivers 800 lumens of directional light. Linear slots in the tubular shade allows for light to escape from within - bouncing against the wall from the back while revealing a glowing line through the front. Court II is Wet Rated for both indoor and outdoor use.

MATERIALS

Brass, Glass, Wood

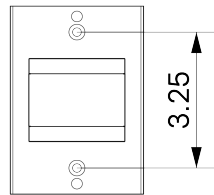
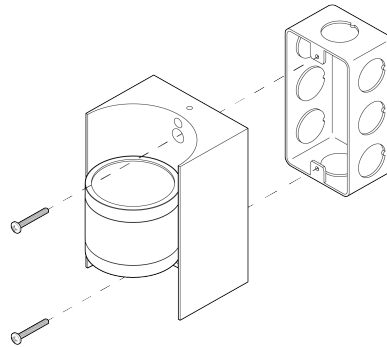
METAL FINISHES

Available in All Standard Metal Finishes

WOOD FINISHES

Available in All Standard Wood Finishes

MOUNTING HARDWARE DIAGRAM



MOUNTING

Single Gang J-Box.
Adapters available

WEIGHT

6 lb

LAMPING

Integrated AC LED Module

BULB INCLUDED (120V USA)

Court II LED Module - 120V

BULB INCLUDED (240V EU)

Court II LED Module - 240V

LAMP QUANTITY

1

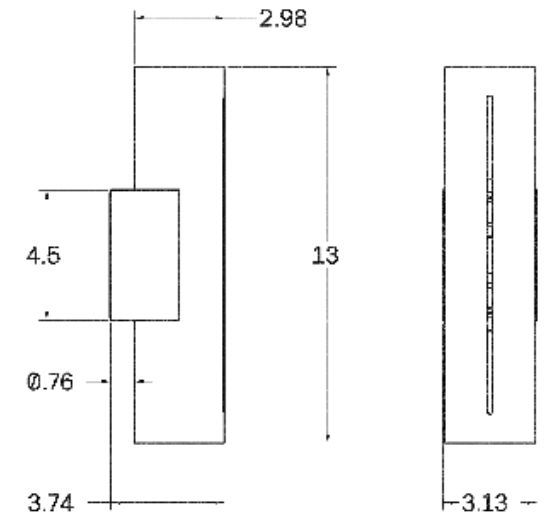
BRIGHTNESS

800 Lumens

DIMMING

LED+

DIMENSIONAL DRAWING



CERTIFICATIONS

CE, Damp Locations,
Outdoor and Wet
Locations, UL and cUL
Certified

