

Voyager II 15"



WAL-055



# Voyager II 15"



WAL-055

## DESCRIPTION

The Voyager II is an up-down sconce that delivers 800 lumens of directional light. Angular cuts in the shade allows for light to escape from within - bouncing against the wall from the back while revealing a glowing line through the front. Voyager II is Wet Rated for both indoor and outdoor use.

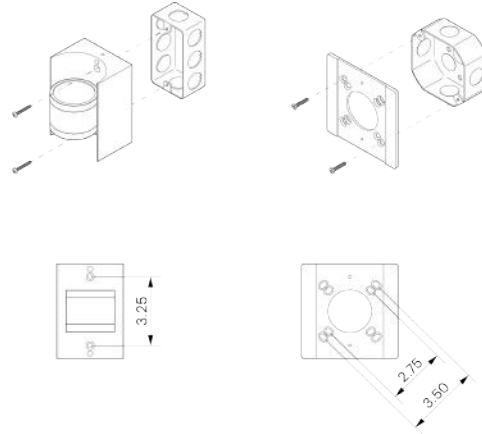
## MATERIALS

Brass

## METAL FINISHES

Available in All Standard Metal Finishes

## MOUNTING HARDWARE DIAGRAM



## LAMPING

Integrated AC LED Module

## LAMP QUANTITY

2

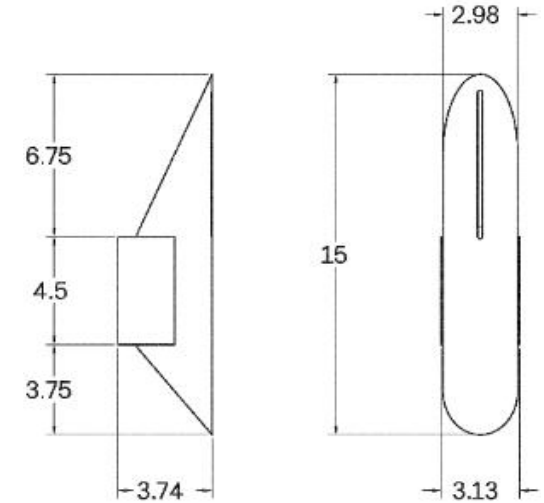
## BRIGHTNESS

800 Lumens

## DIMMING

LED+

## DIMENSIONAL DRAWING



## MOUNTING

Single Gang J-Box.  
Adapters available

## WEIGHT

8 lb

## CERTIFICATIONS

CE, Damp Locations, UL  
and cUL Certified

