



Union Pendant

DESCRIPTION

A ceiling pendant with seamlessly joined woodblocks and blown-glass globe lights at the ends. Time-honored Japanese joinery techniques ensure a tight and long-lasting fit on the wood body, and the five globes provide a bright and well-diffused spread of light.

MATERIALS

Brass, Glass, Wood

METAL FINISHES

Available in All Standard Metal Finishes

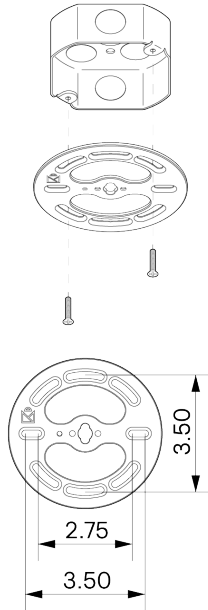
GLASS FINISHES

Alabaster, Matte White, Opal

WOOD FINISHES

Available in All Standard Wood Finishes

MOUNTING HARDWARE DIAGRAM



MOUNTING	WEIGHT
Universal	10 lb

LAMPING

G8 Bi-Pin Base. Type T Lamps

BULB INCLUDED (120V USA)

Emery Allen 4.5W G8 Bulb

BULB INCLUDED (240V EU)

Emery Allen 4.5W G8 240V Bulb

LAMP QUANTITY

5

BRIGHTNESS

2250 Lumens

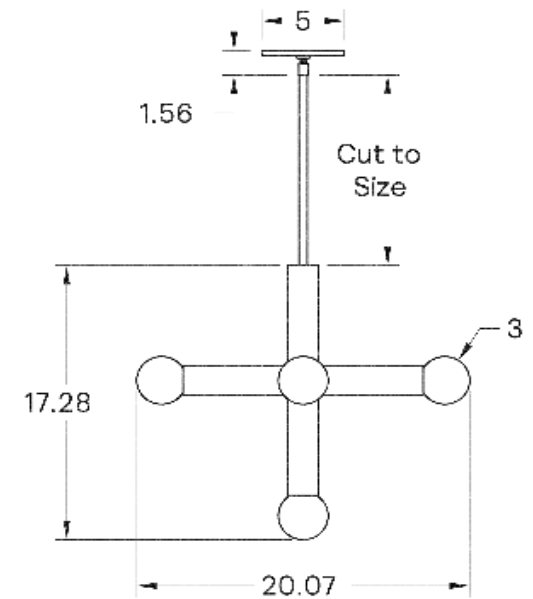
MAX WATTAGE

6W

DIMMING

Universal

DIMENSIONAL DRAWING



CERTIFICATIONS

CE, Damp Locations, UL and cUL Certified

