



Union 3 Chandelier



ALLIED MAKER

CHA-033

DESCRIPTION

Seamlessly joined woodblocks and blown-glass globe come together into a grid to form the Union Chandelier. Time-honored Japanese joinery techniques ensure a tight and long-lasting fit on the woodblocks, and the glass globes provide a bright and well-diffused spread of light.

MATERIALS

Brass, Glass, Wood

METAL FINISHES

Available in All Standard Metal Finishes

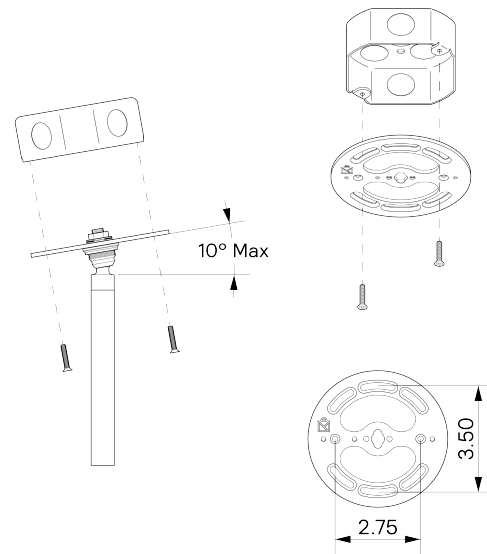
GLASS FINISHES

Alabaster, Matte White, Opal

WOOD FINISHES

Available in All Standard Wood Finishes

MOUNTING HARDWARE DIAGRAM



MOUNTING

Universal

WEIGHT

24 lb

LAMPING

G8 Bi-Pin Base. Type T Lamps

BULB INCLUDED (120V USA)

Emery Allen 4.5W G8 Bulb

BULB INCLUDED (240V EU)

Emery Allen 4.5W G8 240V Bulb

LAMP QUANTITY

13

BRIGHTNESS

5850 Lumens

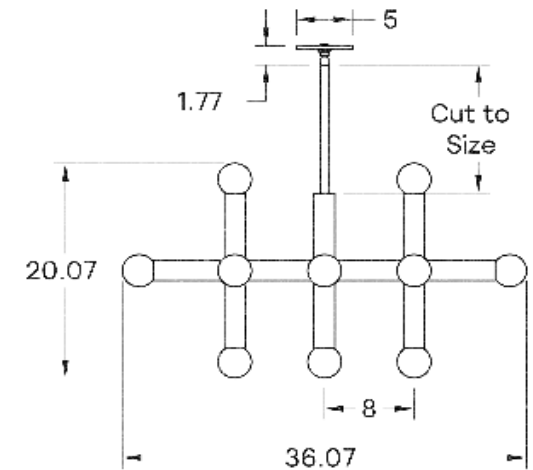
MAX WATTAGE

6W

DIMMING

Universal

DIMENSIONAL DRAWING



CERTIFICATIONS

CE, Damp Locations, UL and cUL Certified

