

Tri Cone

  
ALLIED MAKER

CEI-062



# Tri Cone



CEI-062

## DESCRIPTION

The Tri Cone pendant echoes its form in 3 geometric elements. A tetrahedron structure suspends a glass disc under a cone shade that houses a focused spot-light. The light is diffused by a micro-pyramid texture in the glass resulting in a beautiful expanse of diffused light.

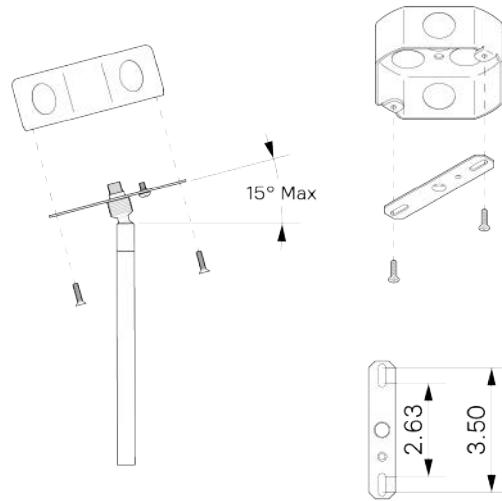
## MATERIALS

Brass, Glass

## METAL FINISHES

Available in All Standard Metal Finishes

## MOUNTING HARDWARE DIAGRAM

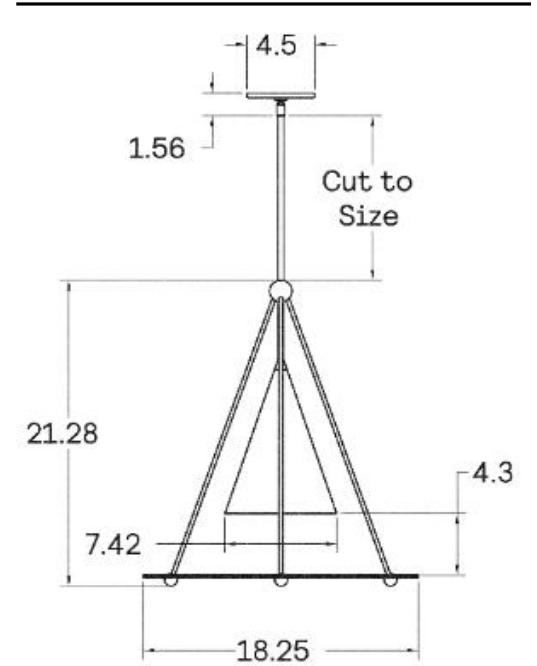


## LAMPING

E26 or E27 Screw Base. Type R Lamps

**BULB INCLUDED (120V USA)**

Cree 14W Bulb



## MOUNTING

Universal

## WEIGHT

9.5 lb

## CERTIFICATIONS

CE, Damp Locations, UL and cUL Certified



## DIMENSIONAL DRAWING