

Temple 14"



WAC-075



Temple 14"



WAC-075

DESCRIPTION

Temple features a solid-hardwood canopy with stepped grooves and a blown-glass ovular shade. The shade is short and wide to diffuse the bright light source while keeping the fixture low-profile. The milled steps in the wood create drama between contrasting light and shadow. Temple is excellent as either a flush mount or a sconce.

MATERIALS

Glass, Wood

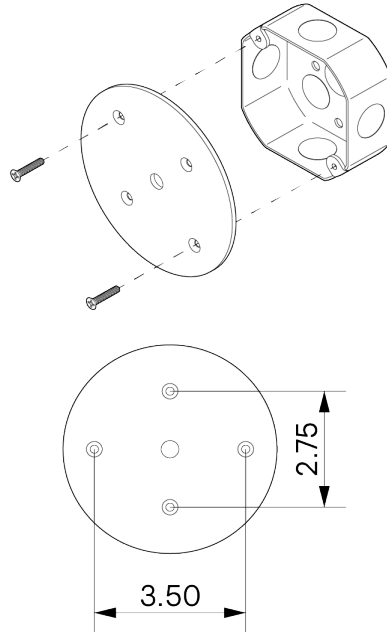
GLASS FINISHES

Matte White, Opal

WOOD FINISHES

Available in All Standard Wood Finishes

MOUNTING HARDWARE DIAGRAM



MOUNTING

Universal

WEIGHT

6.75 lb

LAMPING

GU24 Bi-Pin Base. Type T Lamps

BULB INCLUDED (120V USA)

Emery Allen 8.5W GU24 Bulb

BULB INCLUDED (240V EU)

Emery Allen 8.5W GU24 240V Bulb

LAMP QUANTITY

1

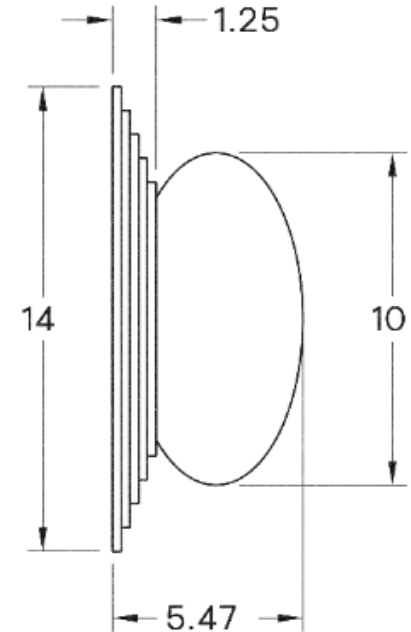
BRIGHTNESS

850 Lumens

DIMMING

Universal

DIMENSIONAL DRAWING



CERTIFICATIONS

CE, Damp Locations, UL and cUL Certified



triode

28 rue Jacob 75006 Paris
+33 (0)1 43 29 40 05

contact@triodedesign.com
www.triodedesign.com