



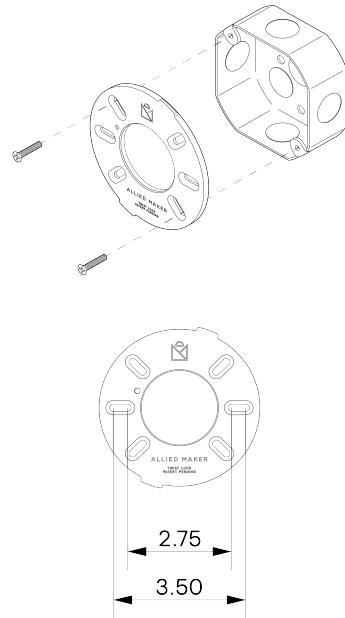
**MATERIALS**

Brass, Glass

**METAL FINISHES**

Available in All Standard Metal Finishes

**MOUNTING HARDWARE DIAGRAM**



MOUNTING	WEIGHT
Universal	11.5 lb

**LAMPING**

GU-10 Bi-Pin Base. Type MR16 Lamps

**BULB INCLUDED (120V USA)**

Emery Allen 7W GU10 Bulb

**BULB INCLUDED (240V EU)**

Emery Allen 7W GU10 240V Bulb

**LAMP QUANTITY**

2

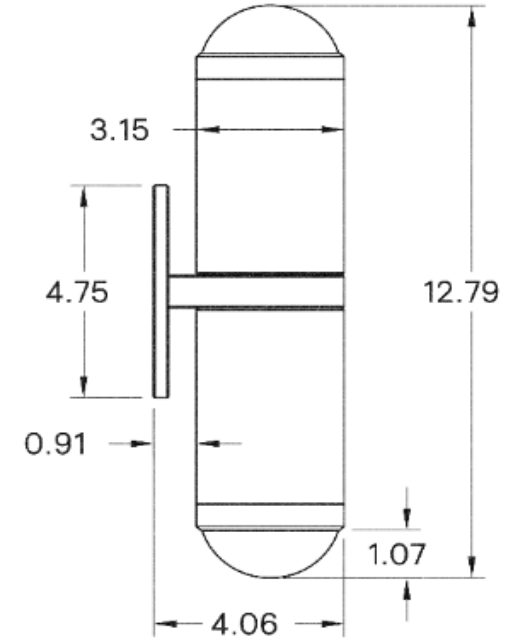
**BRIGHTNESS**

1000 Lumens

**MAX WATTAGE**

7W

**DIMENSIONAL DRAWING**



**CERTIFICATIONS**

CE, Damp Locations, Outdoor and Wet Locations, UL and cUL Certified

