

Rein Pendant 20"



ALLIED MAKER

CEI-061



# Rein Pendant 20"



CEI-061

## DESCRIPTION

Leather straps pass through slots that are hand carved into this spun-metal dome. The straps provide structural suspension while also allowing electrical cables to pass through - illuminating the glass diffuser within.

## MATERIALS

Brass, Glass, Leather

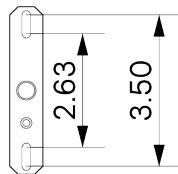
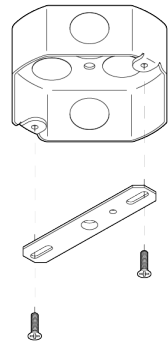
## METAL FINISHES

Available in All Standard Metal Finishes

## GLASS FINISHES

Opal

## MOUNTING HARDWARE DIAGRAM



## LAMPING

E26 or E27 Screw Base. Type A Lamps

**BULB INCLUDED (120V USA)**

Philips 12W Bulb

**BULB INCLUDED (240V EU)**

Emery Allen 8.5W 240V Bulb

**LAMP QUANTITY**

1

## BRIGHTNESS

1600 Lumens

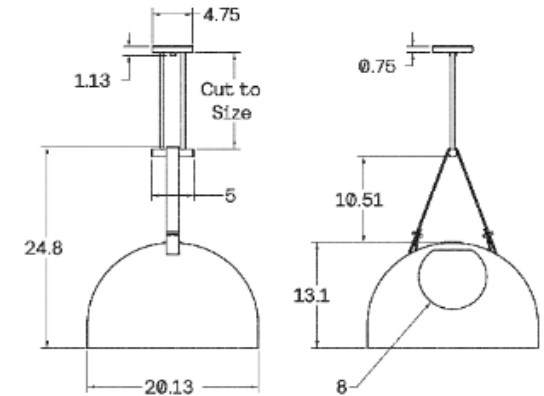
## MAX WATTAGE

20W

## DIMMING

Universal

## DIMENSIONAL DRAWING



## MOUNTING

Universal

## WEIGHT

23 lb

## CERTIFICATIONS

CE, Damp Locations, UL and cUL Certified

