

Pulley Pendant



ALLIED MAKER

CEI-162



# Pulley Pendant

## DESCRIPTION

We are excited to present the Pulley Pendant. Pulley is a height-adjustable pendant system custom-designed and produced for each customer's unique interior. A solid brass weight, carefully combined with brass and hardwood details, counterbalances a blown glass globe. The pulley apparatus allows for smooth adjustment of the brass mesh wire length, allowing designers to dial in the final position on-site easily. Pulley blends fun and interactive design with serious attention to detail, luxury materials, and artisan craftsmanship.

## MATERIALS

Brass, Glass, Wood

## METAL FINISHES

Available in All Standard Metal Finishes

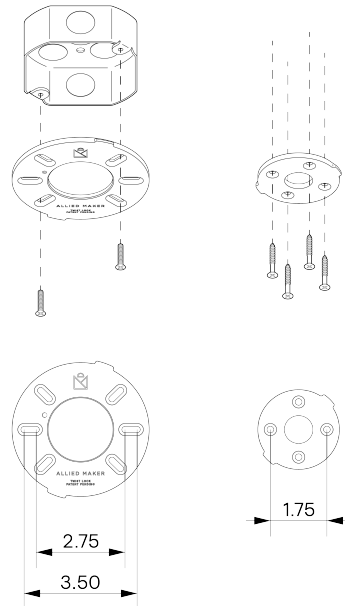
## GLASS FINISHES

Matte White, Opal

## WOOD FINISHES

Available in All Standard Wood Finishes

## MOUNTING HARDWARE DIAGRAM



## MOUNTING

Universal

## WEIGHT

20.5 lb

## LAMPING

GU24 Bi-Pin Base. Type T Lamps

## BULB INCLUDED (120V USA)

Emery Allen 8.5W GU24 Bulb

## BULB INCLUDED (240V EU)

Emery Allen 8.5W GU24 240V Bulb

## LAMP QUANTITY

1

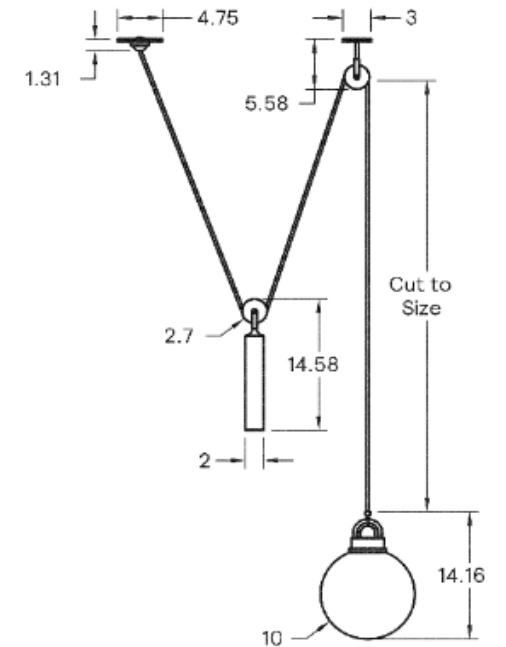
## BRIGHTNESS

850 Lumens

## MAX WATTAGE

10W

## DIMENSIONAL DRAWING



## CERTIFICATIONS

CE, Damp Locations, UL and cUL Certified

