

Prospect Double Sconce 14"



ALLIED MAKER

WAL-070



# Prospect Double Sconce 14"



ALLIED MAKER

WAL-070

## DESCRIPTION

The Prospect Double Sconce was designed with an emphasis on strong joinery and great light output. Two domes are meticulously connected from a single source to spread light over a large area, and its solid brass construction withstands the outdoor elements and develops a beautiful organic patina with time.

## MATERIALS

Brass, Glass

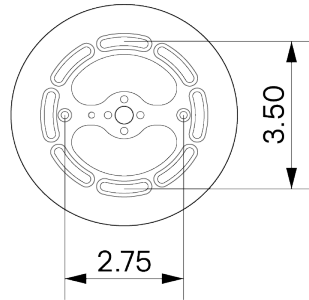
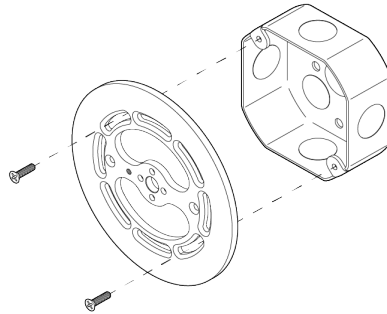
## METAL FINISHES

Available in All Standard Metal Finishes

## GLASS FINISHES

Clear, Frosted, Matte White, Opal, Smoked

## MOUNTING HARDWARE DIAGRAM



## MOUNTING

Universal

## WEIGHT

28.5 lb

## LAMPING

E26 or E27 Screw Base. Type A Lamps

## BULB INCLUDED (120V USA)

Philips 12W Bulb

## BULB INCLUDED (240V EU)

Emery Allen 8.5W 240V Bulb

## LAMP QUANTITY

2

## BRIGHTNESS

3200 Lumens

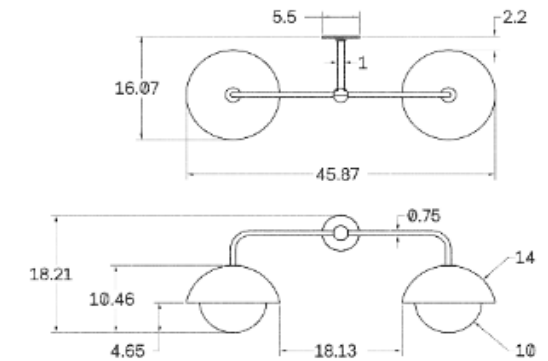
## MAX WATTAGE

20W

## DIMMING

Universal

## DIMENSIONAL DRAWING



## CERTIFICATIONS

CE, Damp Locations, Outdoor and Wet Locations, UL and cUL Certified

