

Prospect Double Sconce 08"


ALLIED MAKER

WAL-069



SALES@ALLIEDMAKER.COM

(212) 334-7333

81 FRANKLIN ST. NYC

HANDCRAFTED IN USA

DESCRIPTION

The Prospect Double Sconce was designed with an emphasis on strong joinery and great light output. Two domes are meticulously connected from a single source to spread light over a large area, and it's solid brass construction withstands the outdoor elements and develops a beautiful organic patina with time.

MATERIALS

Brass, Glass

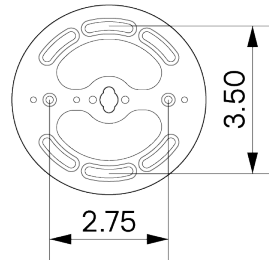
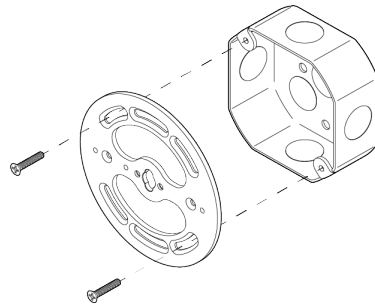
METAL FINISHES

Available in All Standard Metal Finishes

GLASS FINISHES

Clear, Frosted, Matte White, Opal, Smoked

MOUNTING HARDWARE DIAGRAM



| MOUNTING | WEIGHT |
|-----------|----------|
| Universal | 14.25 lb |

LAMPING

E26 or E27 Screw Base. Type A Lamps

BULB INCLUDED (120V USA)

Philips 9.5W Bulb

BULB INCLUDED (240V EU)

Tala 4W Globe 240V Bulb

LAMP QUANTITY

2

BRIGHTNESS

2200 Lumens

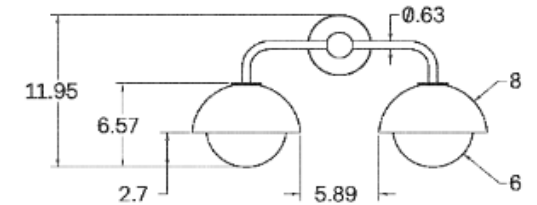
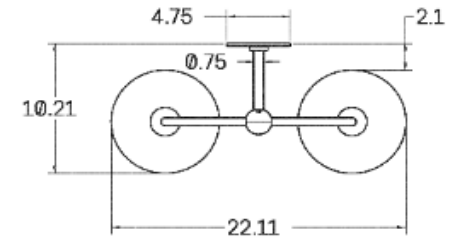
MAX WATTAGE

15W

DIMMING

Universal

DIMENSIONAL DRAWING



CERTIFICATIONS

CE, Damp Locations, Outdoor and Wet Locations, UL and cUL Certified

