

Poise Pendant 16"



ALLIED MAKER

CEI-082



Poise Pendant 16"



ALLIED MAKER

CEI-082

DESCRIPTION

The Poise Pendant is composed of carefully crafted curves in Turned Wood, Spun Brass, and Blown Glass that come together to form a teardrop shape.

MATERIALS

Brass, Glass, Wood

METAL FINISHES

Available in All Standard Metal Finishes

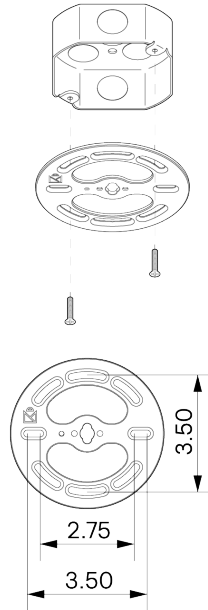
GLASS FINISHES

Clear, Frosted, Matte White, Opal, Smoked

WOOD FINISHES

Available in All Standard Wood Finishes

MOUNTING HARDWARE DIAGRAM



MOUNTING

Universal

WEIGHT

30 lb

LAMPING

E26 or E27 Screw Base. Type A Lamps

BULB INCLUDED (120V USA)

Philips 12W Bulb

BULB INCLUDED (240V EU)

Emery Allen 8.5W 240V Bulb

LAMP QUANTITY

1

BRIGHTNESS

1600 Lumens

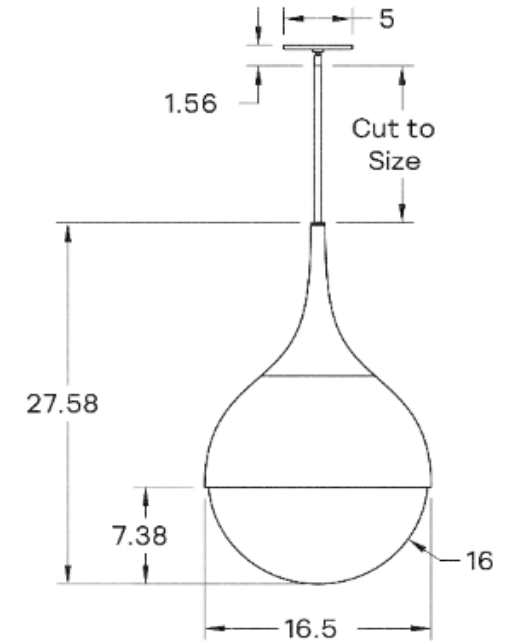
MAX WATTAGE

20W

DIMMING

Universal

DIMENSIONAL DRAWING



CERTIFICATIONS

CE, Damp Locations, UL and cUL Certified

