



Pearl 3 Pendant

MATERIALS

Alabaster, Brass

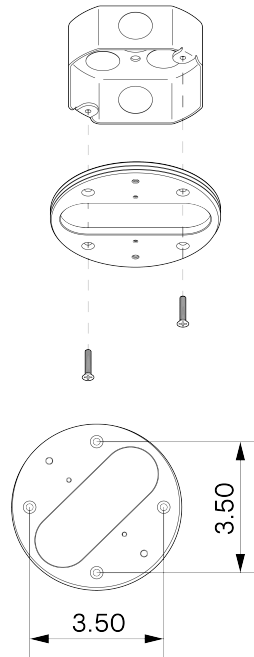
METAL FINISHES

Available in All Standard Metal Finishes

GLASS FINISHES

Alabaster

MOUNTING HARDWARE DIAGRAM



MOUNTING

4" J-Box only. Minimum 1.25" depth

WEIGHT

20.25 lb

LAMPING

Integrated Low Voltage LED with Driver Included • 90V - 132V • 500mA 30 - 42V Constant Current LED Driver AC DC Converter Topology 1 Output • 16.5W Total Output

LAMP QUANTITY

3

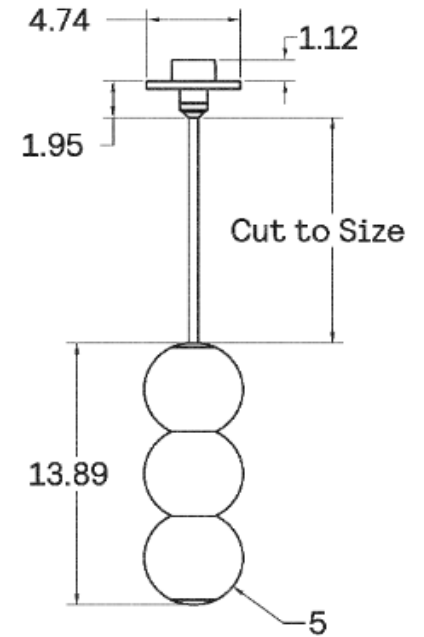
BRIGHTNESS

2500

DIMMING

Universal

DIMENSIONAL DRAWING



CERTIFICATIONS

CE, Damp Locations, UL and cUL Certified

