

MQuan Half-Circle 12.5"

WAL-031



# MQuan Half-Circle 12.5"

## DESCRIPTION

Using Allied Maker's bespoke hardware, Michele Quan of MQuan Studio has created a series of hand-painted stoneware backplates in her studio's signature style. The result is a collaborative version of Allied Maker's Mini Orb sconce that blends handcrafted ceramic details with meticulous engineering.

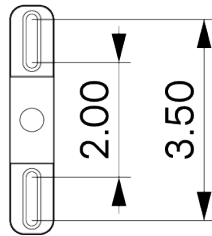
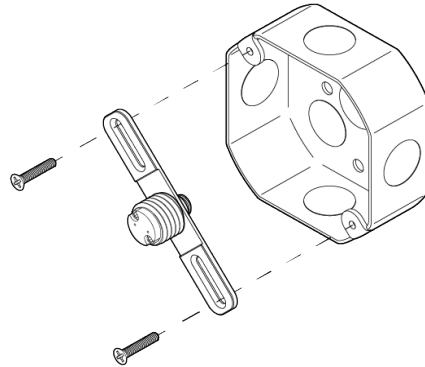
## MATERIALS

Brass, Ceramic, Glass

## GLASS FINISHES

Alabaster, Matte White, Opal

## MOUNTING HARDWARE DIAGRAM



## MOUNTING

Universal

## WEIGHT

4.75 lb

## LAMPING

G8 Bi-Pin Base. Type T Lamps

## BULB INCLUDED (120V USA)

Emery Allen 4.5W G8 Bulb

## BULB INCLUDED (240V EU)

Emery Allen 4.5W G8 240V Bulb

## LAMP QUANTITY

1

## BRIGHTNESS

450 Lumens

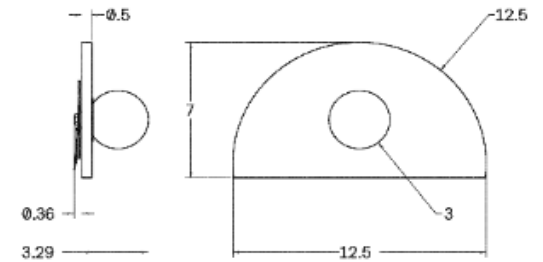
## MAX WATTAGE

6W

## DIMMING

LED+

## DIMENSIONAL DRAWING



## CERTIFICATIONS

CE, Damp Locations, UL and cUL Certified

