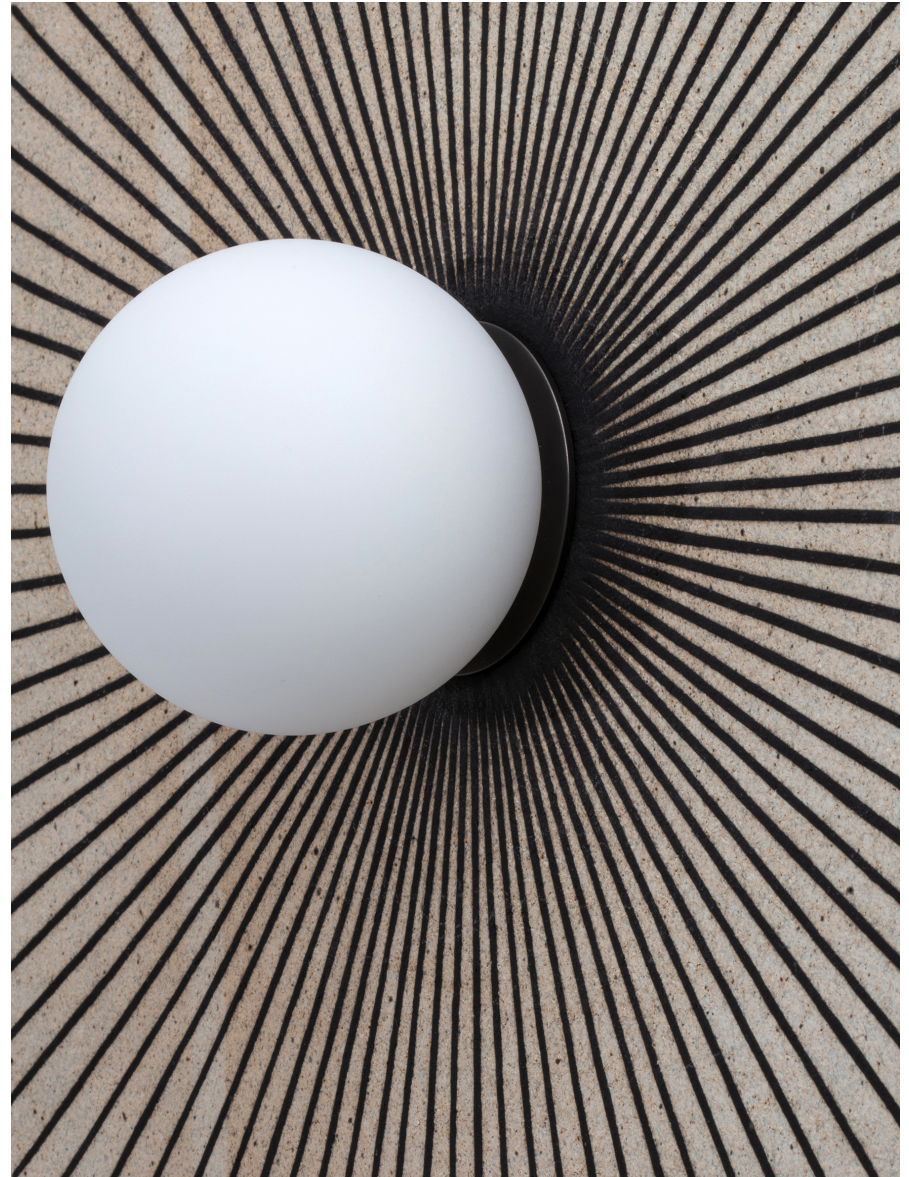


MQuan Circle 13.5"


ALLIED MAKER

WAC-042



DESCRIPTION

Using Allied Maker's bespoke hardware, Michele Quan of MQuan Studio has created a series of hand-painted stoneware backplates in her studio's signature style. The result is a collaborative version of Allied Maker's Mini Orb sconce that blends handcrafted ceramic details with meticulous engineering.

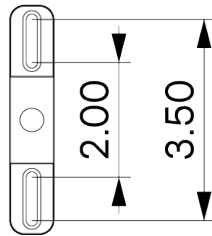
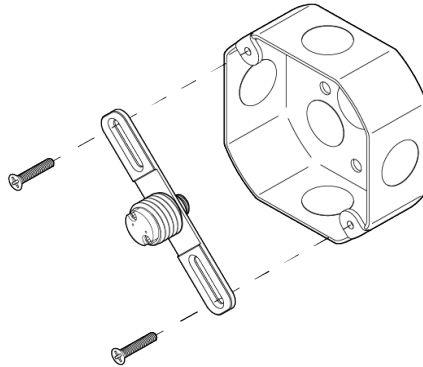
MATERIALS

Brass, Ceramic, Glass

GLASS FINISHES

Alabaster, Matte White, Opal

MOUNTING HARDWARE DIAGRAM



MOUNTING

Universal

WEIGHT

10.5 lb

LAMPING

G8 Bi-Pin Base. Type T Lamps

BULB INCLUDED (120V USA)

Emery Allen 4.5W G8 Bulb

BULB INCLUDED (240V EU)

Emery Allen 4.5W G8 240V Bulb

LAMP QUANTITY

1

BRIGHTNESS

450 Lumens

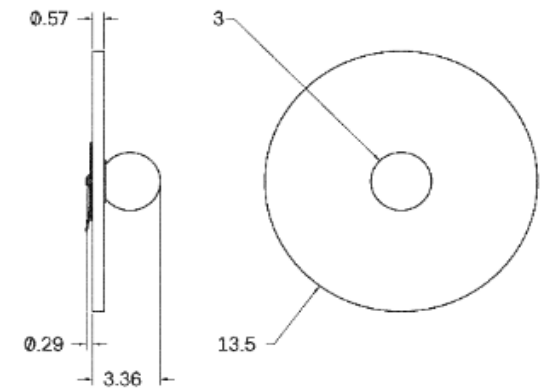
MAX WATTAGE

6W

DIMMING

LED+

DIMENSIONAL DRAWING



CERTIFICATIONS

CE, Damp Locations, UL and cUL Certified

