

Monoscope Sconce 10"


ALLIED MAKER

WAL-076



SALES@ALLIEDMAKER.COM

(212) 334-7333

81 FRANKLIN ST. NYC

HANDCRAFTED IN USA

Monoscope Sconce 10"



WAL-076

DESCRIPTION

The Monoscope collection is an expression of simple yet richly textured geometry. Hardwood veneer is wrapped over an Aluminum LED core and diffused by borosilicate glass, and brass fittings. These materials are brought together by a skilled artisan to form an incredibly well diffused and bright lighting fixture. Monoscope is not only beautiful but extremely functional. Its light fills the room thanks to the disc shaped shade that illuminates brightly on both sides; bouncing against the ceiling while providing direct illumination below.

MATERIALS

Alabaster, Brass, Glass, Leather, Wood Veneer

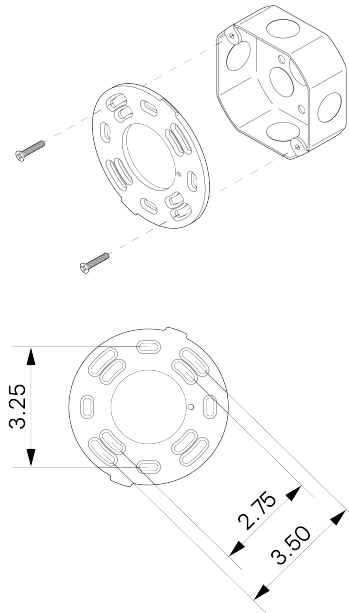
METAL FINISHES

Patina or Plated Finishes Only, No Powder Coating

WOOD FINISHES

American Oak, Available in All Standard Wood Finishes, Walnut Burl

MOUNTING HARDWARE DIAGRAM



LAMPING

Integrated Low Voltage LED with Driver Included

LAMP QUANTITY

1

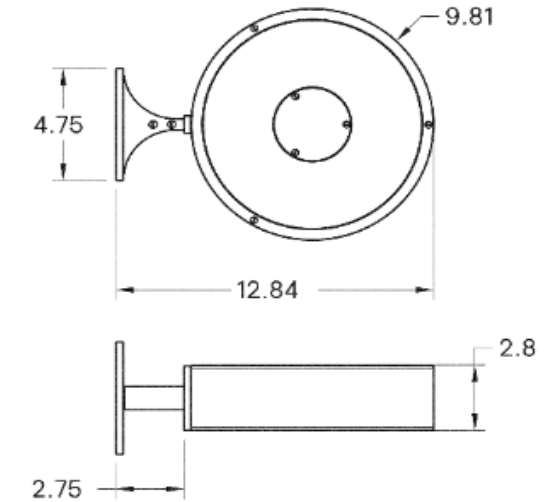
BRIGHTNESS

2135 Lumens

DIMMING

Universal

DIMENSIONAL DRAWING



MOUNTING

Universal

WEIGHT

12.25 lb

CERTIFICATIONS

CE, Damp Locations, UL and cUL Certified

