

Monoscope Pendant 18"


ALLIED MAKER

CEI-136



Monoscope Pendant 18"

DESCRIPTION

The Monoscope collection is an expression of simple yet richly textured geometry. Hardwood veneer is wrapped over an Aluminum LED core and diffused by borosilicate glass, and brass fittings. These materials are brought together by a skilled artisan to form an incredibly well diffused and bright lighting fixture. Monoscope is not only beautiful but extremely functional. Its light fills the room thanks to the disc shaped shade that illuminates brightly on both sides; bouncing against the ceiling while providing direct illumination below.

MATERIALS

Alabaster, Brass, Glass, Leather, Wood Veneer

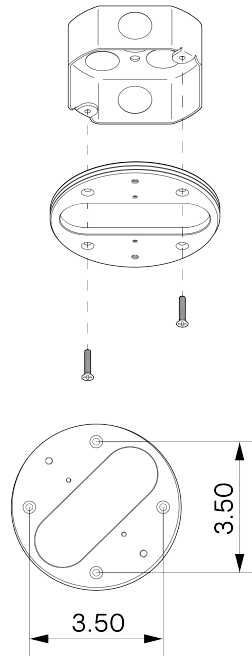
METAL FINISHES

Patina or Plated Finishes Only, No Powder Coating

WOOD FINISHES

American Oak, Available in All Standard Wood Finishes, Walnut Burl

MOUNTING HARDWARE DIAGRAM



MOUNTING

4" J-Box only. Minimum 1.25" depth

WEIGHT

21 lb

LAMPING

Integrated Low Voltage LED with Driver Included

LAMP QUANTITY

1

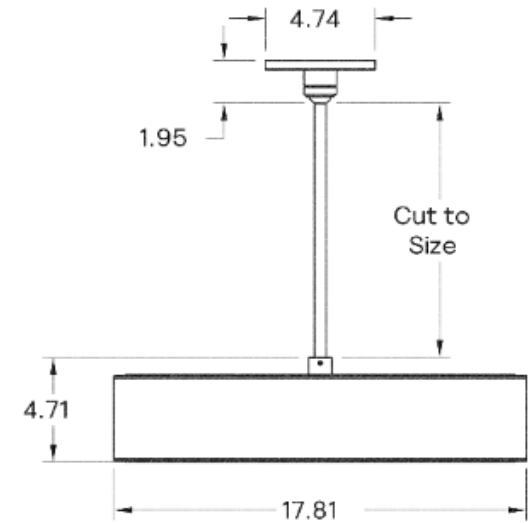
BRIGHTNESS

5735 Lumens

DIMMING

Universal

DIMENSIONAL DRAWING



CERTIFICATIONS

CE, Damp Locations, UL and cUL Certified

