

Monoscope Pendant 10"

  
ALLIED MAKER

CEI-135



# Monoscope Pendant 10"

## DESCRIPTION

The Monoscope collection is an expression of simple yet richly textured geometry. Hardwood veneer is wrapped over an Aluminum LED core and diffused by borosilicate glass, and brass fittings. These materials are brought together by a skilled artisan to form an incredibly well diffused and bright lighting fixture. Monoscope is not only beautiful but extremely functional. Its light fills the room thanks to the disc shaped shade that illuminates brightly on both sides; bouncing against the ceiling while providing direct illumination below.

## MATERIALS

Alabaster, Brass, Glass, Leather, Wood Veneer

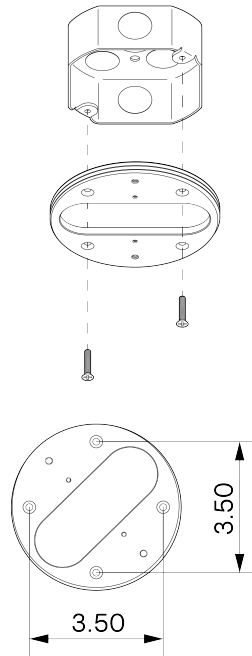
## METAL FINISHES

Patina or Plated Finishes Only,  
No Powder Coating

## WOOD FINISHES

American Oak, Available in All  
Standard Wood Finishes, Walnut  
Burl

## MOUNTING HARDWARE DIAGRAM



## MOUNTING

4" J-Box only. Minimum  
1.25" depth

## WEIGHT

12.25 lb

## LAMPING

Integrated Low Voltage LED with  
Driver Included

## LAMP QUANTITY

1

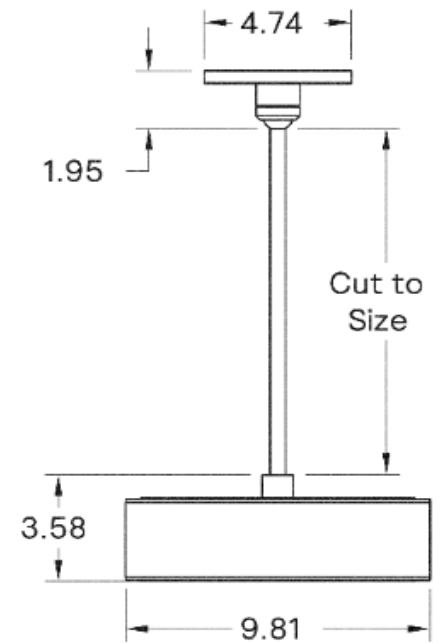
## BRIGHTNESS

2135 Lumens

## DIMMING

Universal

## DIMENSIONAL DRAWING



## CERTIFICATIONS

CE, Damp Locations, UL  
and cUL Certified

