

Monoscope 6 Flush Mount


ALLIED MAKER

CEI-154



Monoscope 6 Flush Mount

DESCRIPTION

The Monoscope collection is an expression of simple yet richly textured geometry. Hardwood veneer is wrapped over an Aluminum LED core and diffused by borosilicate glass, and brass fittings. A skilled artisan brings together these materials to form an incredibly well-diffused and bright lighting fixture. Monoscope is not only beautiful but highly functional. Its light fills the room thanks to the disc-shaped shade that illuminates brightly on both sides; bouncing against the ceiling while providing direct illumination below.

MATERIALS

Brass, Glass, Wood Veneer

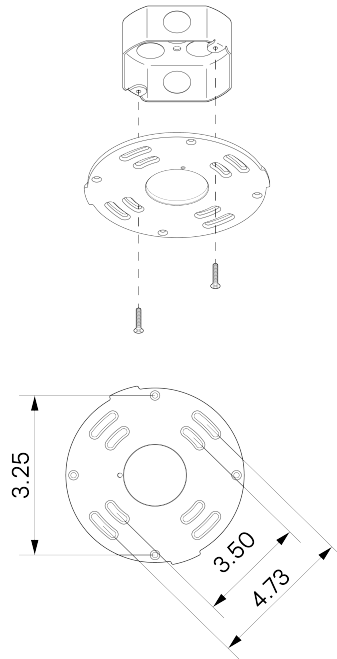
METAL FINISHES

Patina or Plated Finishes Only,
No Powder Coating

WOOD FINISHES

American Oak, Available in All
Standard Wood Finishes, Walnut
Burl

MOUNTING HARDWARE DIAGRAM



MOUNTING

4" J-Box only. Minimum
1.25" depth

WEIGHT

65.25 lb

LAMPING

Integrated Low Voltage LED with
Driver Included

LAMP QUANTITY

6

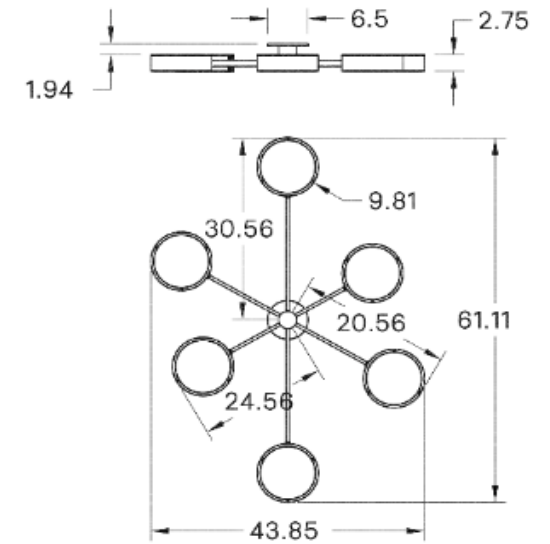
BRIGHTNESS

12800 Lumens

DIMMING

Universal

DIMENSIONAL DRAWING



CERTIFICATIONS

CE, Damp Locations, UL
and cUL Certified

