

Monoscope 3 Flush Mount



CEI-151



# Monoscope 3 Flush Mount



CEI-151

## DESCRIPTION

The Monoscope collection is an expression of simple yet richly textured geometry. Hardwood veneer is wrapped over an Aluminum LED core and diffused by borosilicate glass, and brass fittings. A skilled artisan brings together these materials to form an incredibly well-diffused and bright lighting fixture. Monoscope is not only beautiful but highly functional. Its light fills the room thanks to the disc-shaped shade that illuminates brightly on both sides; bouncing against the ceiling while providing direct illumination below.

## MATERIALS

Brass, Glass, Wood Veneer

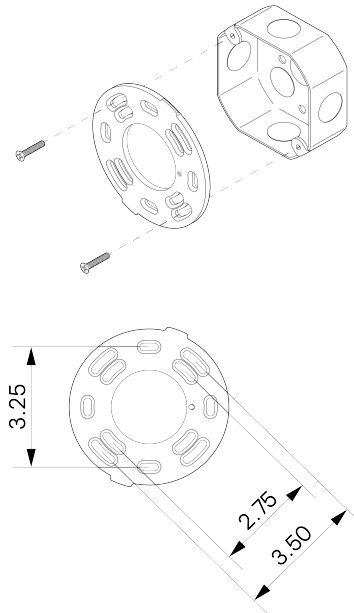
## METAL FINISHES

Patina or Plated Finishes Only,  
No Powder Coating

## WOOD FINISHES

American Oak, Available in All  
Standard Wood Finishes, Walnut  
Burl

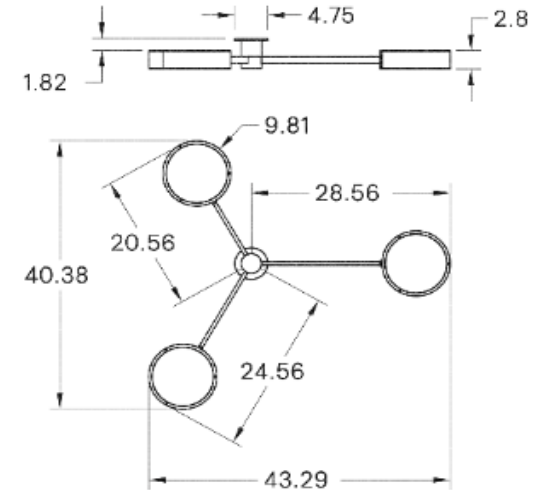
## MOUNTING HARDWARE DIAGRAM



## BRIGHTNESS

6600 Lumens

## DIMENSIONAL DRAWING



MOUNTING	WEIGHT
4" J-Box only. Minimum 1.25" depth	32.25 lb

## CERTIFICATIONS

CE, Damp Locations, UL  
and cUL Certified

