

Half Dome Pendant 14"


ALLIED MAKER

CEI-050



SALES@ALLIEDMAKER.COM

(212) 334-7333

81 FRANKLIN ST. NYC

HANDCRAFTED IN USA

Half Dome Pendant 14"



ALLIED MAKER

CEI-050

DESCRIPTION

This hand-spun 14" dome is meticulously brushed and waxed to a matte satin finish. Accented with a wooden finial, and suspended with 6 feet of field adjustable cord.

MATERIALS

Brass, Glass, Wood

METAL FINISHES

Available in All Standard Metal Finishes

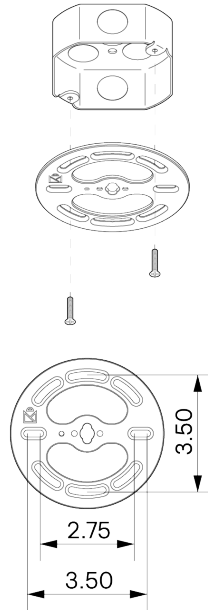
GLASS FINISHES

Clear, Frosted, Matte White, Opal, Smoked

WOOD FINISHES

Available in All Standard Wood Finishes

MOUNTING HARDWARE DIAGRAM



MOUNTING	WEIGHT
Universal	9.25 lb

LAMPING

E26 or E27 Screw Base. Type A Lamps

BULB INCLUDED (120V USA)

Philips 9.5W Bulb

BULB INCLUDED (240V EU)

Tala 4W Globe 240V Bulb

LAMP QUANTITY

1

BRIGHTNESS

1100 Lumens

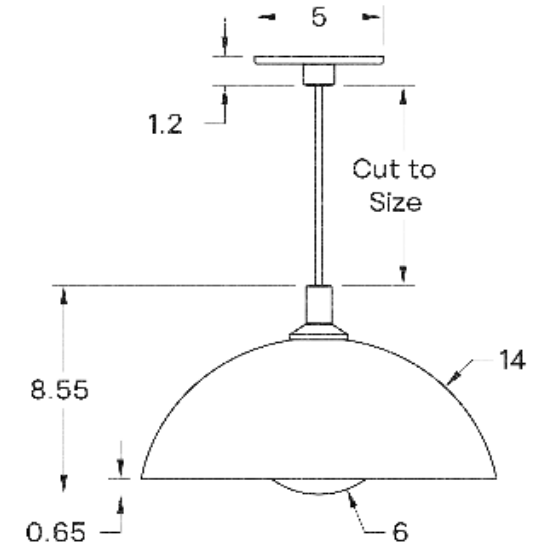
MAX WATTAGE

15W

DIMMING

Universal

DIMENSIONAL DRAWING



CERTIFICATIONS

CE, Damp Locations, UL and cUL Certified

