

Glass Flush Dome 20"



ALLIED MAKER

WAC-027



SALES@ALLIEDMAKER.COM

(212) 334-7333

81 FRANKLIN ST. NYC

HANDCRAFTED IN USA

Glass Flush Dome 20"



ALLIED MAKER

WAC-027

DESCRIPTION

This large dome starts as a flat sheet of cast glass. It is then carefully formed into its shape with heat. Our glass domes come from a speciality studio based in Brooklyn, NY with a long history in the craft of glass bending. We love the distortions left behind from the bending process.

MATERIALS

Brass, Glass, Wood

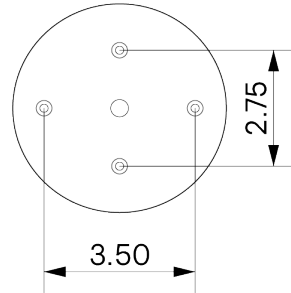
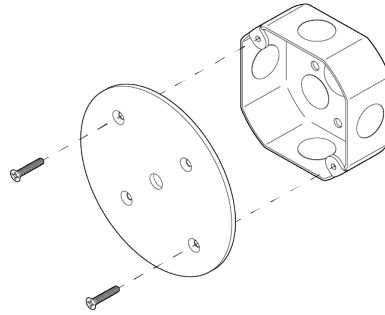
GLASS FINISHES

Clear, Frosted, Matte White, Opal, Smoked

WOOD FINISHES

Available in All Standard Wood Finishes

MOUNTING HARDWARE DIAGRAM



LAMPING

E26 or E27 Screw Base. Type A Lamps

BULB INCLUDED (120V USA)

Cree 75W Bulb

BULB INCLUDED (240V EU)

Emery Allen 8.5W 240V Bulb

LAMP QUANTITY

1

BRIGHTNESS

1600 Lumens

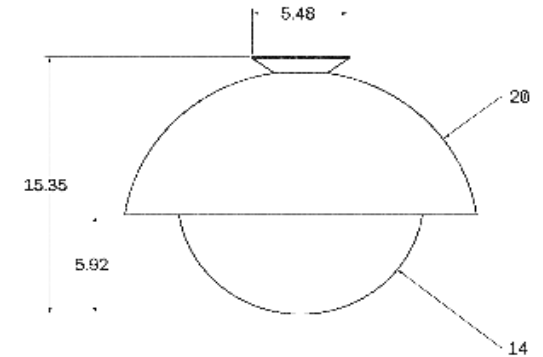
MAX WATTAGE

20W

DIMMING

Universal

DIMENSIONAL DRAWING



MOUNTING

Universal

WEIGHT

19.75 lb

CERTIFICATIONS

CE, Damp Locations, Outdoor and Wet Locations, UL and cUL Certified

