

Glass Flush Dome 10"


ALLIED MAKER

WAC-025



SALES@ALLIEDMAKER.COM

(212) 334-7333

81 FRANKLIN ST. NYC

HANDCRAFTED IN USA

Glass Flush Dome 10"



ALLIED MAKER

WAC-025

MATERIALS

Brass, Glass, Wood

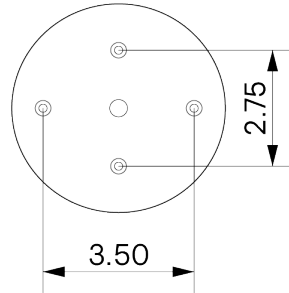
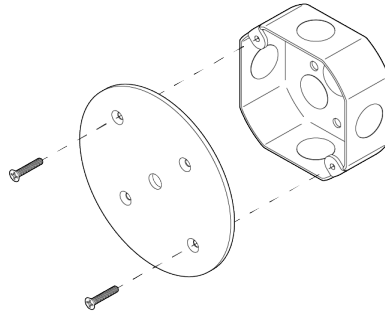
GLASS FINISHES

Clear, Frosted, Matte White, Opal, Smoked

WOOD FINISHES

Available in All Standard Wood Finishes

MOUNTING HARDWARE DIAGRAM



LAMPING

E26 or E27 Screw Base. Type A Lamps

BULB INCLUDED (120V USA)

Philips 9.5W Bulb

BULB INCLUDED (240V EU)

Emery Allen 8.5W 240V Bulb

LAMP QUANTITY

1

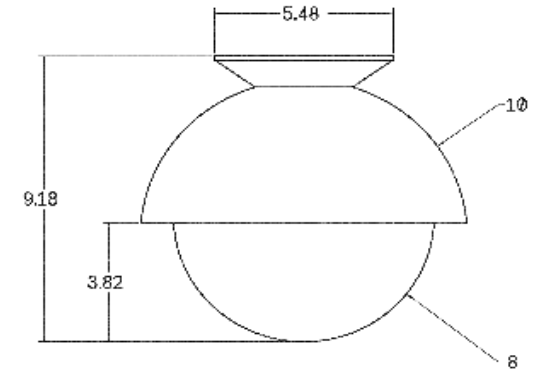
BRIGHTNESS

1100 Lumens

MAX WATTAGE

15W

DIMENSIONAL DRAWING



MOUNTING

Universal

WEIGHT

7.25 lb

DIMMING

Universal

CERTIFICATIONS

CE, Damp Locations, Outdoor and Wet Locations, UL and cUL Certified

