

Flush Dome 20"



ALLIED MAKER

WAC-017



SALES@ALLIEDMAKER.COM

(212) 334-7333

81 FRANKLIN ST. NYC

HANDCRAFTED IN USA

Flush Dome 20"

DESCRIPTION

This hand-spun 20" dome is meticulously brushed and waxed to a matte satin finish. The 14" diameter hand-blown glass provides pleasant surface diffusion while also complementing the light's overall form. The fixture is finished with a American Black Walnut canopy that is turned on a lathe and finished with natural oils.

MATERIALS

Brass, Glass, Wood

METAL FINISHES

Available in All Standard Metal Finishes

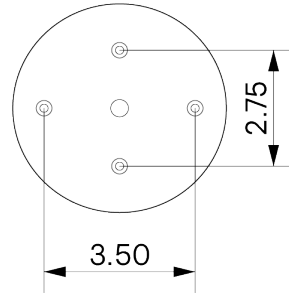
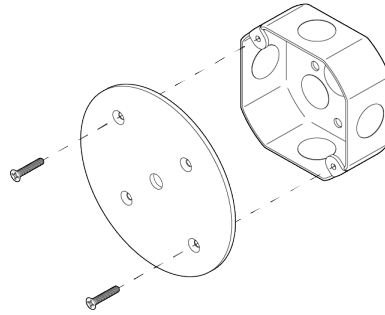
GLASS FINISHES

Clear, Frosted, Matte White, Opal, Smoked

WOOD FINISHES

Available in All Standard Wood Finishes

MOUNTING HARDWARE DIAGRAM



MOUNTING

Universal

WEIGHT

25 lb

LAMPING

E26 or E27 Screw Base. Type A Lamps

BULB INCLUDED (120V USA)

Cree 75W Bulb

BULB INCLUDED (240V EU)

Emery Allen 8.5W 240V Bulb

LAMP QUANTITY

1

BRIGHTNESS

1600 Lumens

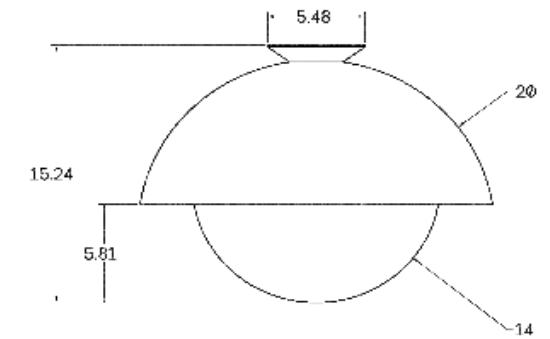
MAX WATTAGE

20W

DIMMING

Universal

DIMENSIONAL DRAWING



CERTIFICATIONS

CE, Damp Locations, Outdoor and Wet Locations, UL and cUL Certified

