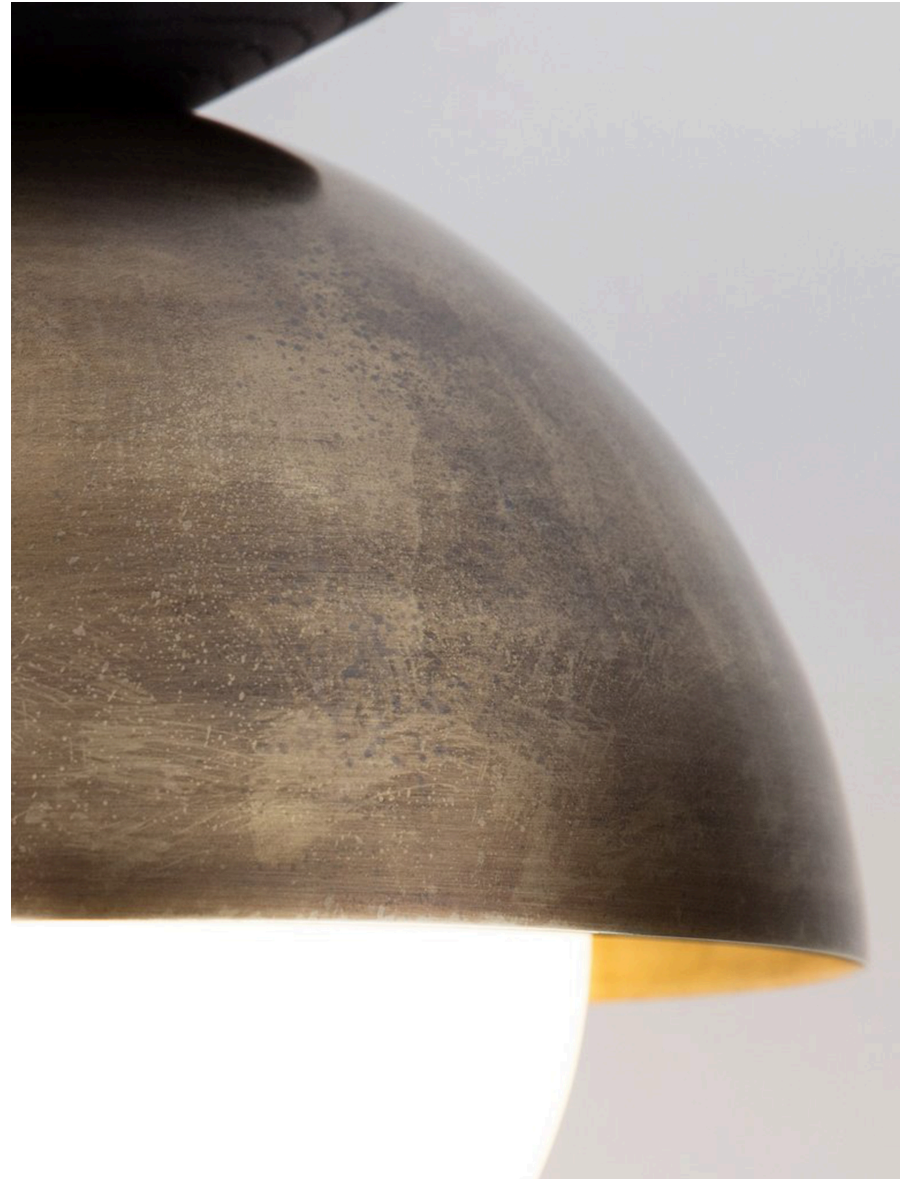


Flush Dome 10"

  
ALLIED MAKER

WAC-013



SALES@ALLIEDMAKER.COM

(212) 334-7333

81 FRANKLIN ST. NYC

HANDCRAFTED IN USA

# Flush Dome 10"



ALLIED MAKER

WAC-013

## DESCRIPTION

This fixture features a 10" hand-spun brass dome, with hand-blown glass that provides pleasant surface diffusion while also complementing the light's overall form. The piece is finished with a wood canopy hand turned on a lathe and finished with natural oils.

## MATERIALS

Brass, Glass, Wood

## METAL FINISHES

Available in All Standard Metal Finishes

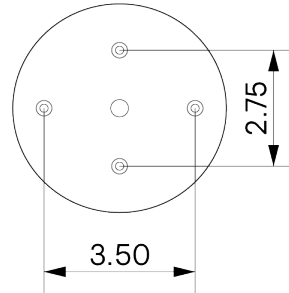
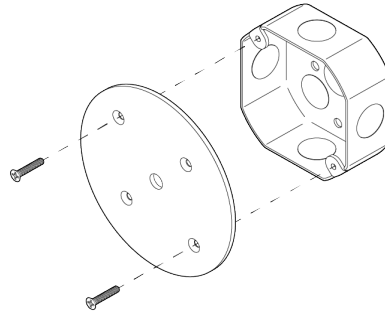
## GLASS FINISHES

Clear, Frosted, Matte White, Opal, Smoked

## WOOD FINISHES

Available in All Standard Wood Finishes

## MOUNTING HARDWARE DIAGRAM



## MOUNTING

Universal

## WEIGHT

8.5 lb

## LAMPING

E26 or E27 Screw Base. Type A Lamps

## BULB INCLUDED (120V USA)

Philips 9.5W Bulb

## BULB INCLUDED (240V EU)

Emery Allen 8.5W 240V Bulb

## LAMP QUANTITY

1

## BRIGHTNESS

1100 Lumens

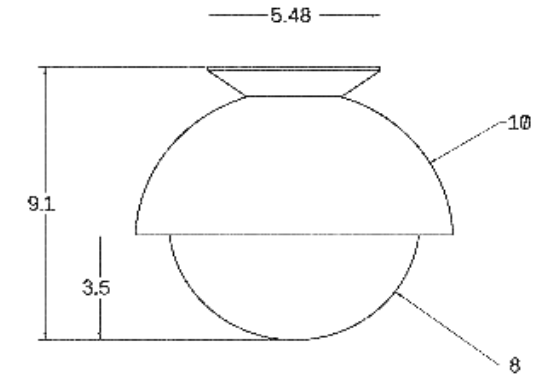
## MAX WATTAGE

15W

## DIMMING

Universal

## DIMENSIONAL DRAWING



## CERTIFICATIONS

CE, Damp Locations, Outdoor and Wet Locations, UL and cUL Certified

