

Flush Dome 08"


ALLIED MAKER

WAC-011



Flush Dome 08"



ALLIED MAKER

WAC-011

DESCRIPTION

This hand-spun 8" dome is meticulously brushed and waxed to a matte satin finish. The hand-blown glass provides pleasant surface diffusion while also complimenting the light's overall form. The fixture is finished with a Black Walnut back-plate that is turned on a lathe and finished with natural oils.

MATERIALS

Brass, Glass, Wood

METAL FINISHES

Available in All Standard Metal Finishes

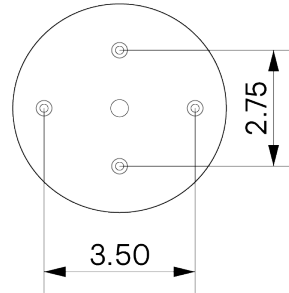
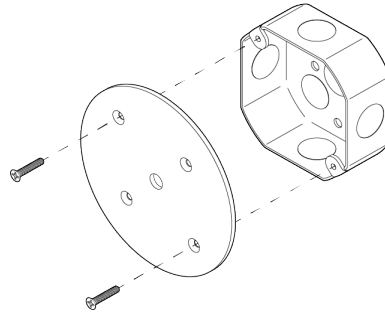
GLASS FINISHES

Clear, Frosted, Matte White, Opal, Smoked

WOOD FINISHES

Available in All Standard Wood Finishes

MOUNTING HARDWARE DIAGRAM



MOUNTING

Universal

WEIGHT

6.5 lb

LAMPING

E26 or E27 Screw Base. Type A Lamps

BULB INCLUDED (120V USA)

Philips 9.5W Bulb

BULB INCLUDED (240V EU)

Tala 4W Globe 240V Bulb

LAMP QUANTITY

1

BRIGHTNESS

1100 Lumens

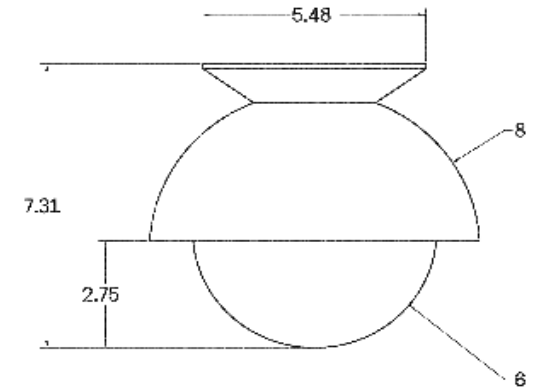
MAX WATTAGE

15W

DIMMING

Universal

DIMENSIONAL DRAWING



CERTIFICATIONS

CE, Damp Locations, Outdoor and Wet Locations, UL and cUL Certified

