

Endless Dome


ALLIED MAKER

WAC-010



DESCRIPTION

A solid blown glass dome with a slumped face creates an endless effect. The face is frosted to diffuse light from the front, while the side of the dome is left clear or smoked to allow light to bounce off the wall. Integrated with our patent-pending parts that allow for easy installation and quick bulb changes.

MATERIALS

Brass, Glass

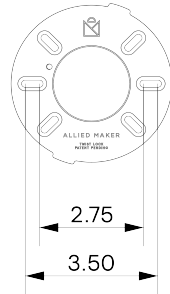
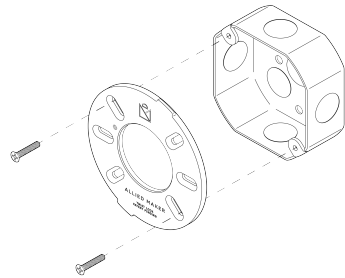
METAL FINISHES

Brass, Heritage Brass, Maker
Black, Nickel, Sandblasted Grey

GLASS FINISHES

Frosted, Smoked

MOUNTING HARDWARE DIAGRAM



MOUNTING	WEIGHT
Universal	7.25 lb

LAMPING

E12 or E14 Screw Base. Type
G16.5 Lamps

BULB INCLUDED (120V USA)

Feit 5.5W E12 Bulb

BULB INCLUDED (240V EU)

Tala 5W Globe 240V Bulb

LAMP QUANTITY

1

BRIGHTNESS

275 Lumens

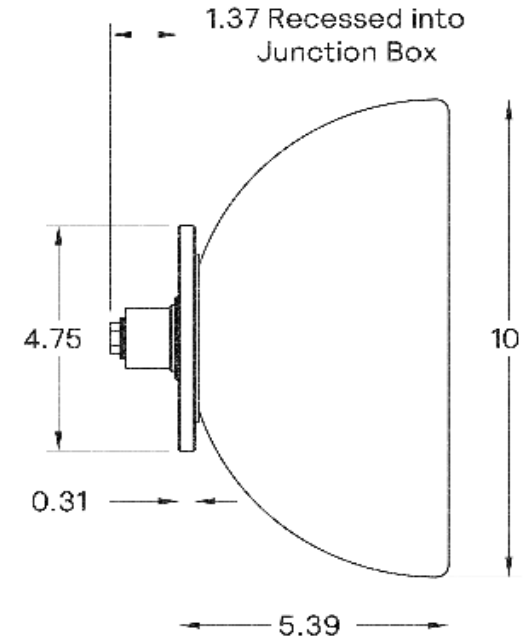
MAX WATTAGE

10W

DIMMING

LED+

DIMENSIONAL DRAWING



CERTIFICATIONS

CE, Damp Locations, UL
and cUL Certified

