

# Dual Cone Sconce

## DESCRIPTION

Two cone shades meet at a central hardwood body. This simple mid-century inspired sconce provides attractive up/down light.

## MATERIALS

Brass, Glass, Wood

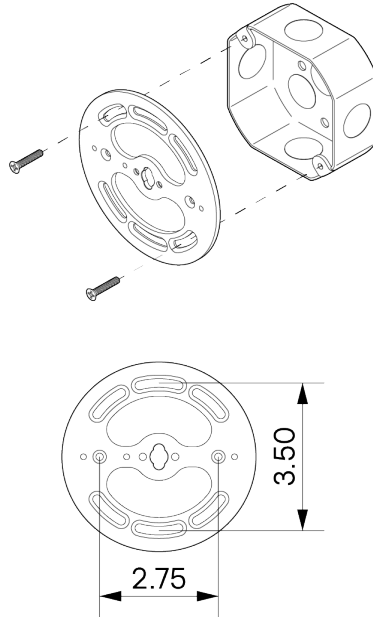
## METAL FINISHES

Available in All Standard Metal Finishes

## WOOD FINISHES

Available in All Standard Wood Finishes

## MOUNTING HARDWARE DIAGRAM



## MOUNTING

Universal

## WEIGHT

4.5 lb

## LAMPING

G8 Bi-Pin Base. Type T Lamps

## BULB INCLUDED (120V USA)

Emery Allen 4.5W G8 Bulb

## BULB INCLUDED (240V EU)

Emery Allen 4.5W G8 240V Bulb

## LAMP QUANTITY

2

## BRIGHTNESS

900 Lumens

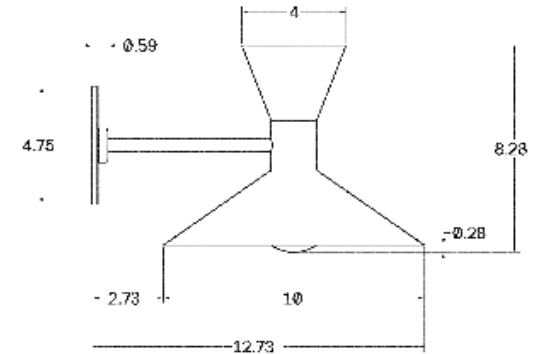
## MAX WATTAGE

6W

## DIMMING

LED+

## DIMENSIONAL DRAWING



## CERTIFICATIONS

CE, Damp Locations, UL  
and cUL Certified

