

Dome Pendant 10"



ALLIED MAKER

CEI-038



SALES@ALLIEDMAKER.COM

(212) 334-7333

81 FRANKLIN ST. NYC

HANDCRAFTED IN USA

Dome Pendant 10"

DESCRIPTION

The 10" dome is hand-spun from brass and is meticulously brushed and waxed to a matte satin finish. The blown glass globe provides pleasant surface diffusion while complimenting the light's overall form. The finial can be walnut, oak or blackened oak. This pendant hangs from 6 feet of field adjustable cord and attaches to a matching metal canopy.

MATERIALS

Brass, Glass, Wood

METAL FINISHES

Available in All Standard Metal Finishes

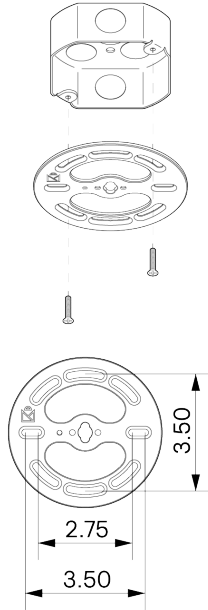
GLASS FINISHES

Clear, Frosted, Matte White, Opal, Smoked

WOOD FINISHES

Available in All Standard Wood Finishes

MOUNTING HARDWARE DIAGRAM



MOUNTING

Universal

WEIGHT

8.5 lb

LAMPING

E26 or E27 Screw Base. Type A Lamps

BULB INCLUDED (120V USA)

Philips 9.5W Bulb

BULB INCLUDED (240V EU)

Emery Allen 8.5W 240V Bulb

LAMP QUANTITY

1

BRIGHTNESS

1100 Lumens

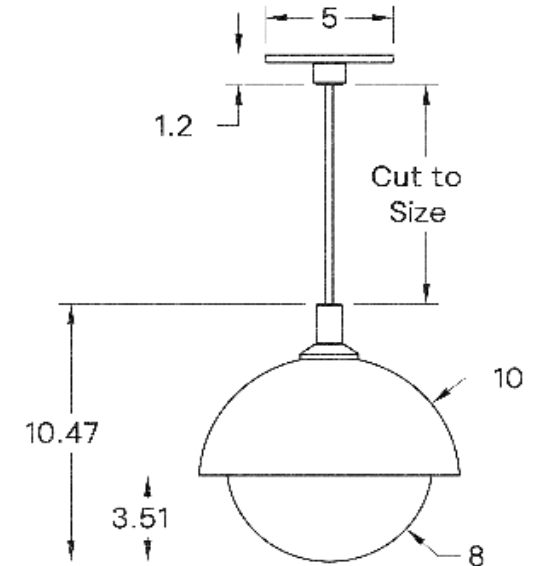
MAX WATTAGE

15W

DIMMING

Universal

DIMENSIONAL DRAWING



CERTIFICATIONS

CE, Damp Locations, UL and cUL Certified

