



Composer II Pendant



CEI-153

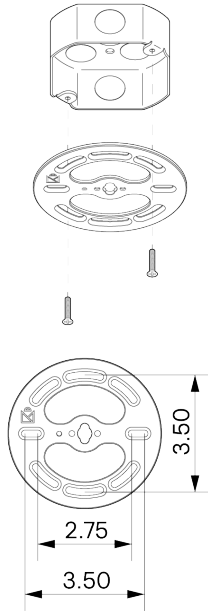
MATERIALS

Brass, Glass

METAL FINISHES

Patina or Plated Finishes Only,
No Powder Coating

MOUNTING HARDWARE DIAGRAM



MOUNTING

Universal

WEIGHT

5 lb

LAMPING

GU-10 Bi-Pin Base. Type MR16
Lamps

BULB INCLUDED (120V USA)

Emery Allen 7W GU10 Bulb

BULB INCLUDED (240V EU)

Emery Allen 7W GU10 240V Bulb

LAMP QUANTITY

1

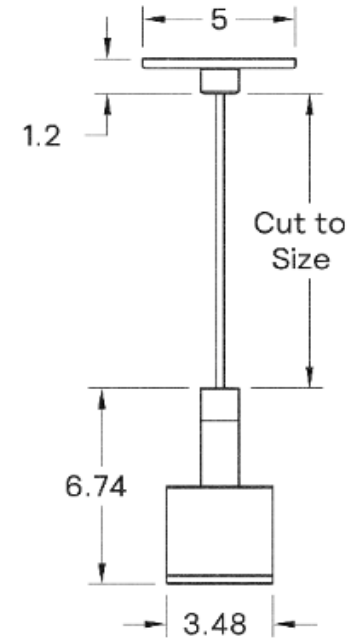
BRIGHTNESS

500 Lumens

MAX WATTAGE

9W

DIMENSIONAL DRAWING



CERTIFICATIONS

CE, Damp Locations, UL
and cUL Certified

