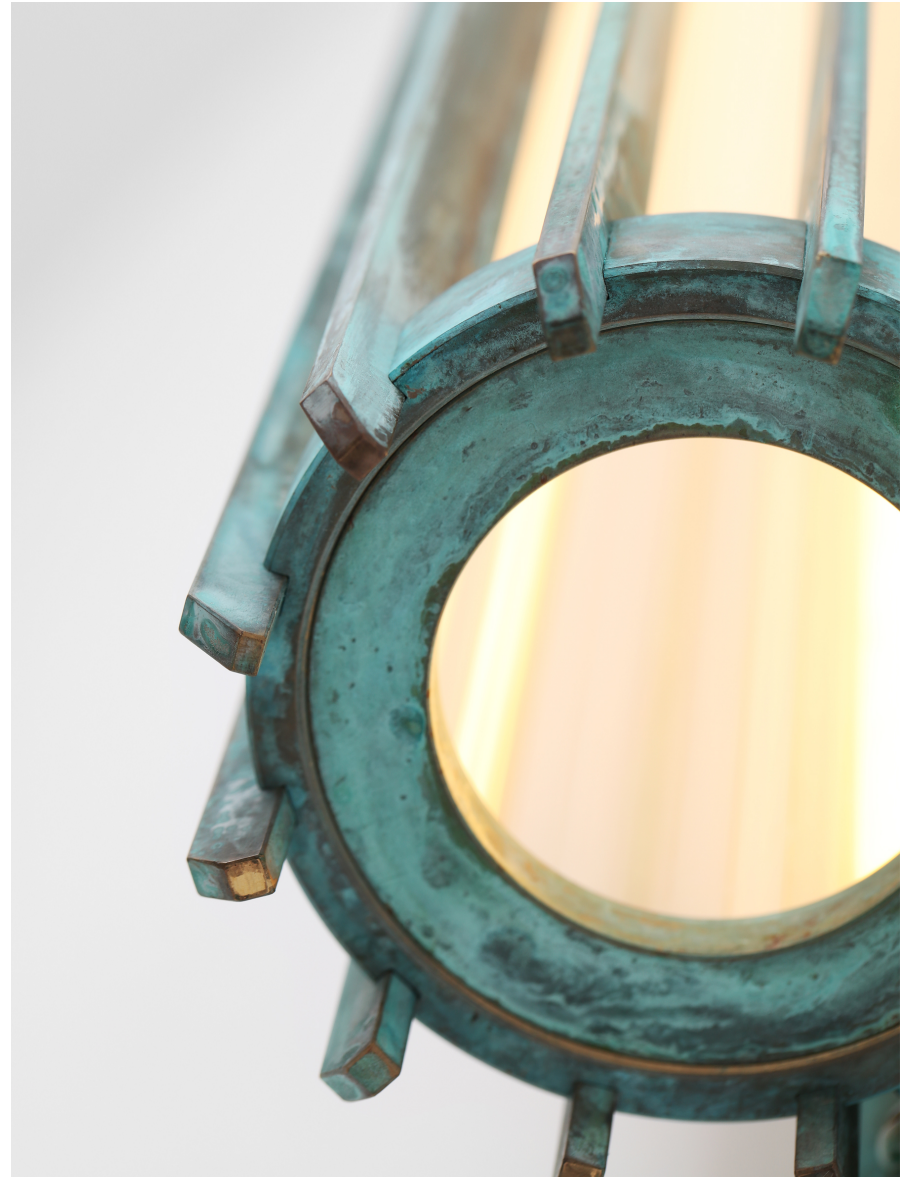


Cathedral Sconce 26"


ALLIED MAKER

WAL-062



Cathedral Sconce 26"



WAL-062

DESCRIPTION

Cathedral is a contemporary representation of the classic outdoor lantern. Milled solid-brass rings hold a frosted glass cylinder and linear brass slots diffuse the powerful light source. When viewing up close, the lamp is concealed in a way to allow the glass cylinder to be completely un-obstructed - allowing air and light to pass throughout the entire inside of the sconce.

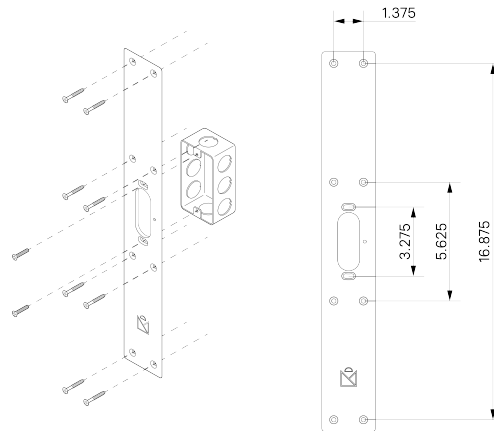
MATERIALS

Brass, Glass

METAL FINISHES

Patina or Plated Finishes Only,
No Powder Coating

MOUNTING HARDWARE DIAGRAM



LAMPING

Integrated AC LED Module

LAMP QUANTITY

2

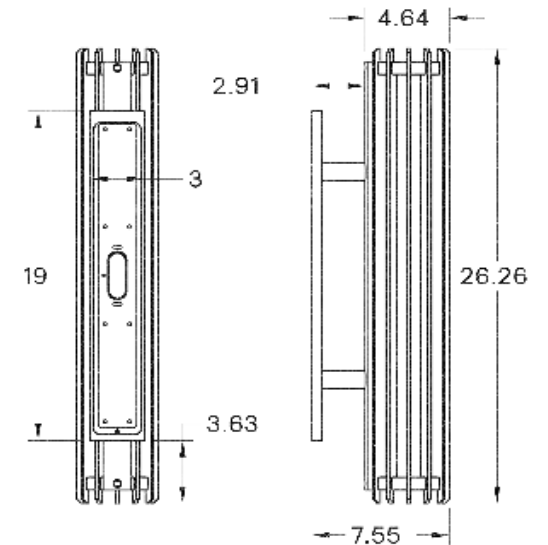
BRIGHTNESS

1800 Lumens

DIMMING

LED+

DIMENSIONAL DRAWING



MOUNTING

Universal

WEIGHT

28.5 lb

CERTIFICATIONS

CE, Damp Locations,
Outdoor and Wet
Locations, UL and cUL
Certified

