

Cathedral Sconce 12"

  
ALLIED MAKER

WAL-061



SALES@ALLIEDMAKER.COM

(212) 334-7333

81 FRANKLIN ST. NYC

HANDCRAFTED IN USA

**DESCRIPTION**

Cathedral is a contemporary representation of the classic outdoor lantern. Milled solid-brass rings hold a frosted glass cylinder and linear brass slots diffuse the powerful light source. When viewing up close, the lamp is concealed in a way to allow the glass cylinder to be completely un-obstructed - allowing air and light to pass throughout the entire inside of the sconce.

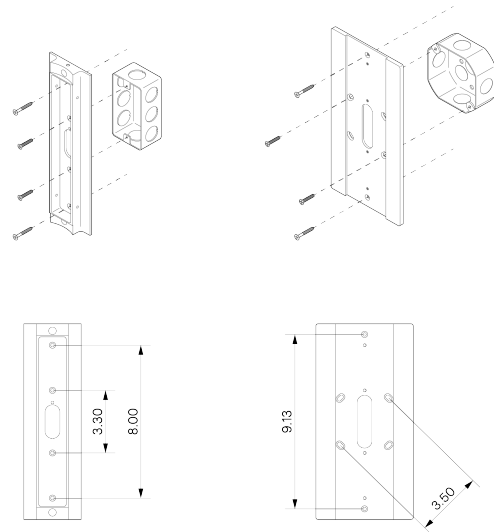
**MATERIALS**

Brass, Glass

**METAL FINISHES**

Patina or Plated Finishes Only,  
No Powder Coating

**MOUNTING HARDWARE DIAGRAM**



**LAMPING**

Integrated AC LED Module

**LAMP QUANTITY**

1

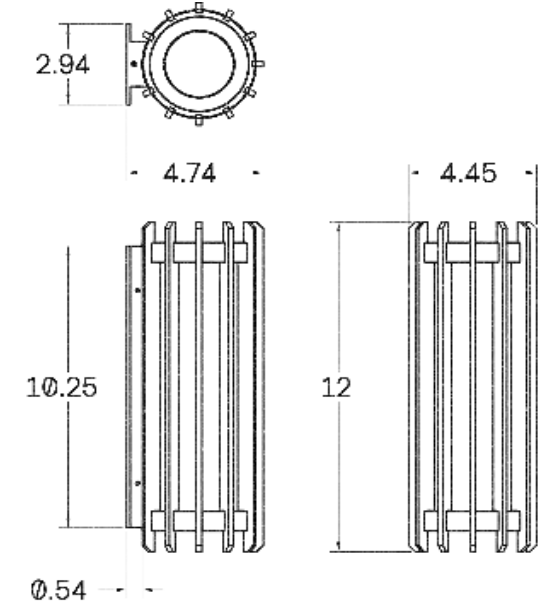
**BRIGHTNESS**

694 Lumens

**DIMMING**

LED+

**DIMENSIONAL DRAWING**



**MOUNTING**

Universal

**WEIGHT**

9 lb

**CERTIFICATIONS**

CE, Damp Locations,  
Outdoor and Wet  
Locations, UL and cUL  
Certified

