

Cathedral 16" Half-Round

  
ALLIED MAKER

WAL-085



[SALES@ALLIEDMAKER.COM](mailto:SALES@ALLIEDMAKER.COM)

(212) 334-7333

81 FRANKLIN ST. NYC

HANDCRAFTED IN USA

# Cathedral 16" Half-Round



WAL-085

## DESCRIPTION

Cathedral is a contemporary representation of the classic outdoor lantern. Milled solid-brass rings hold a frosted glass cylinder and linear brass slots diffuse the powerful light source. When viewing up close, the lamp is concealed in a way to allow the glass cylinder to be completely un-obstructed - allowing air and light to pass throughout the entire inside of the sconce.

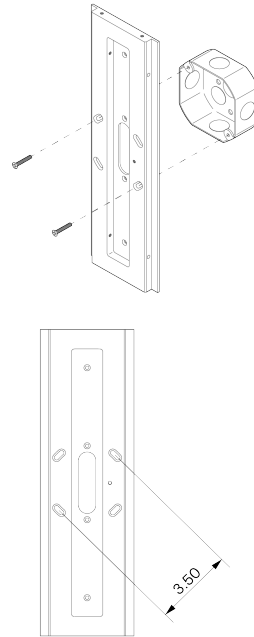
## MATERIALS

Brass, Glass

## METAL FINISHES

Patina or Plated Finishes Only,  
No Powder Coating

## MOUNTING HARDWARE DIAGRAM



## MOUNTING

Universal

## WEIGHT

13.75 lb

## LAMPING

Integrated AC LED Module

## LAMP QUANTITY

1

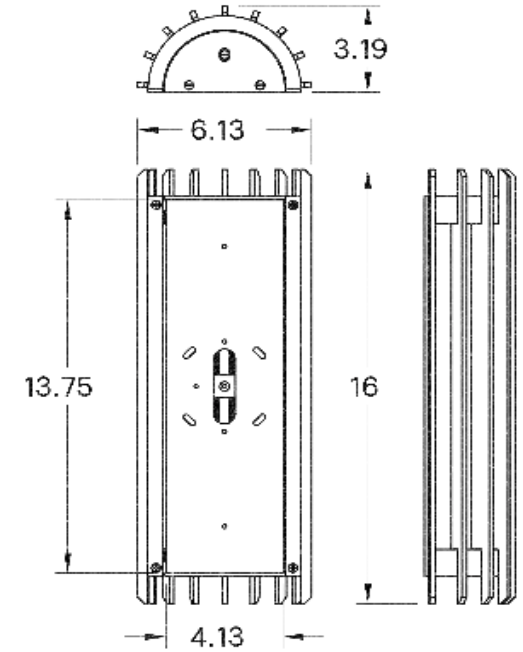
## BRIGHTNESS

700 Lumens

## DIMMING

LED+

## DIMENSIONAL DRAWING



## CERTIFICATIONS

ADA Compliant, CE,  
Damp Locations,  
Outdoor and Wet  
Locations, UL and cUL  
Certified

