

DESCRIPTION

Bridge presents a unique joinery of brass and blown-glass. The curves of the fixture resemble a suspension bridge, which amplify light through its form. Available with 1, 2, or 3 globes; the repetition of its elements creates rhythm and reinforce the poetic intersection of materials.

MATERIALS

Brass, Glass

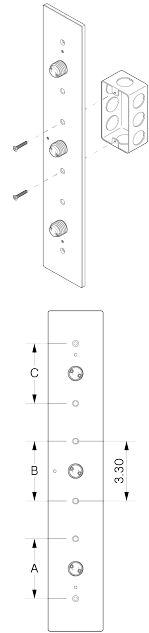
METAL FINISHES

Available in All Standard Metal Finishes

GLASS FINISHES

Alabaster, Matte White, Opal

MOUNTING HARDWARE DIAGRAM



MOUNTING	WEIGHT
Single Gang J-Box only	9.25 lb

LAMPING

G8 Bi-Pin Base. Type T Lamps

BULB INCLUDED (120V USA)

Emery Allen 4.5W G8 Bulb

BULB INCLUDED (240V EU)

Emery Allen 4.5W G8 240V Bulb

LAMP QUANTITY

3

BRIGHTNESS

1350 Lumens

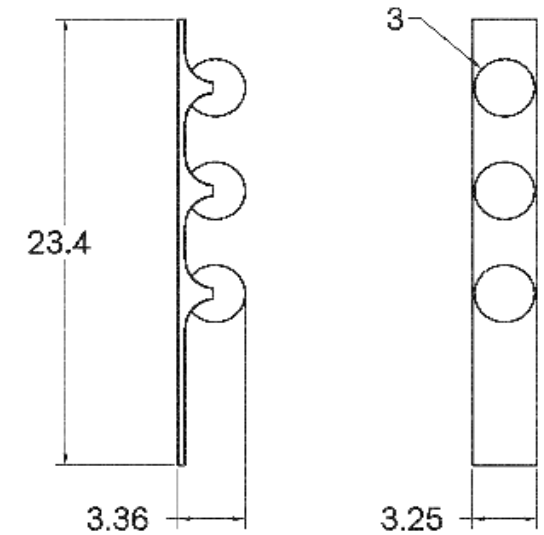
MAX WATTAGE

6W

DIMMING

LED+

DIMENSIONAL DRAWING



CERTIFICATIONS

CE, Damp Locations, UL and cUL Certified

