



# Bridge 1



ALLIED MAKER

WAL-073

## DESCRIPTION

Bridge presents a unique joinery of brass and blown-glass. The curves of the fixture resemble a suspension bridge, which amplify light through its form. Available with 1, 2, or 3 globes; the repetition of its elements creates rhythm and reinforce the poetic intersection of materials.

## MATERIALS

Brass, Glass

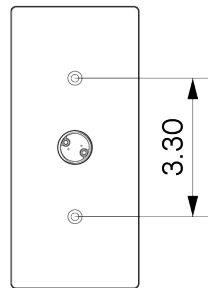
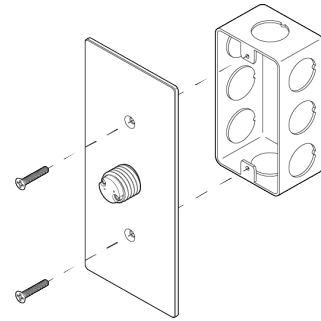
## METAL FINISHES

Available in All Standard Metal Finishes

## GLASS FINISHES

Alabaster, Matte White, Opal

## MOUNTING HARDWARE DIAGRAM



## MOUNTING

Single Gang J-Box only

## WEIGHT

2.75 lb

## LAMPING

G8 Bi-Pin Base. Type T Lamps

## BULB INCLUDED (120V USA)

Emery Allen 4.5W G8 Bulb

## BULB INCLUDED (240V EU)

Emery Allen 4.5W G8 240V Bulb

## LAMP QUANTITY

1

## BRIGHTNESS

450 Lumens

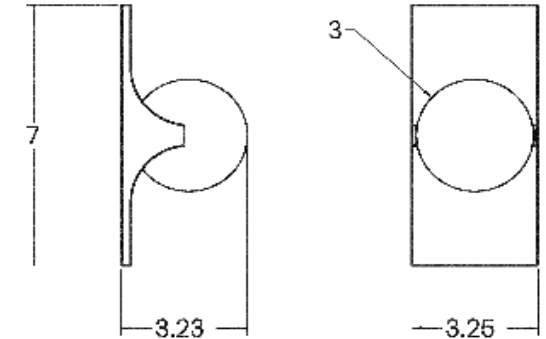
## MAX WATTAGE

6W

## DIMMING

LED+

## DIMENSIONAL DRAWING



## CERTIFICATIONS

CE, Damp Locations, UL and cUL Certified

