

Brass T2 Sconce



ALLIED MAKER

WAL-050



Brass T2 Sconce



WAL-050

DESCRIPTION

An upgraded version of our original Brass T sconce. Featuring a seamless machined-brass body, with blown-glass globes instead of bare bulbs.

MATERIALS

Brass, Glass

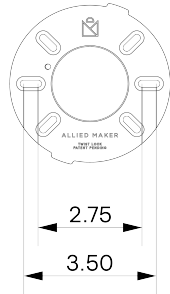
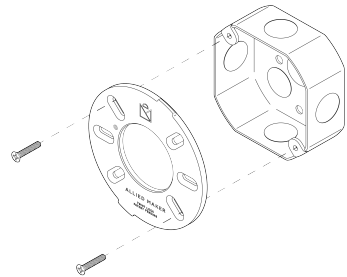
METAL FINISHES

Available in All Standard Metal Finishes

GLASS FINISHES

Alabaster, Matte White, Opal

MOUNTING HARDWARE DIAGRAM



MOUNTING

Universal

WEIGHT

5 lb

LAMPING

G8 Bi-Pin Base. Type T Lamps

BULB INCLUDED (120V USA)

Emery Allen 4.5W G8 Bulb

BULB INCLUDED (240V EU)

Emery Allen 4.5W G8 240V Bulb

LAMP QUANTITY

2

BRIGHTNESS

900 Lumens

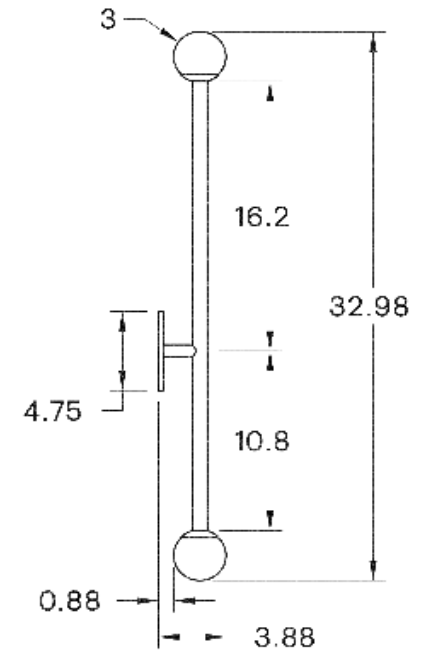
MAX WATTAGE

6W

DIMMING

LED+

DIMENSIONAL DRAWING



CERTIFICATIONS

ADA Compliant, CE, Damp Locations, Outdoor and Wet Locations, UL and cUL Certified

