

Beacon 36" Half-Round



WAL-051



Beacon 36" Half-Round



WAL-051

MATERIALS

Aluminum, Glass, Steel, Wood

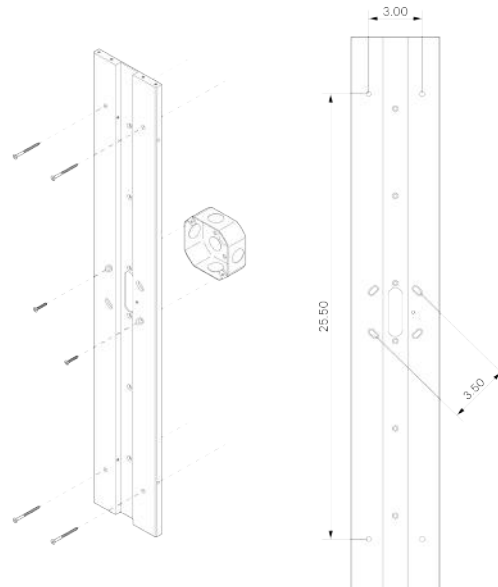
METAL FINISHES

Available in All Standard Metal Finishes

WOOD FINISHES

Available in All Standard Wood Finishes

MOUNTING HARDWARE DIAGRAM



LAMPING

Integrated AC LED Module

LAMP QUANTITY

1

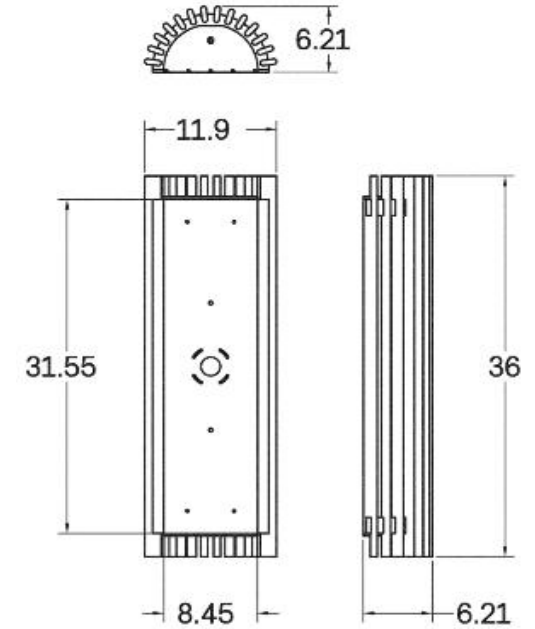
BRIGHTNESS

3200 Lumens

DIMMING

LED+

DIMENSIONAL DRAWING



MOUNTING

Universal

WEIGHT

31.5 lb

CERTIFICATIONS

CE, Damp Locations, UL and cUL Certified

