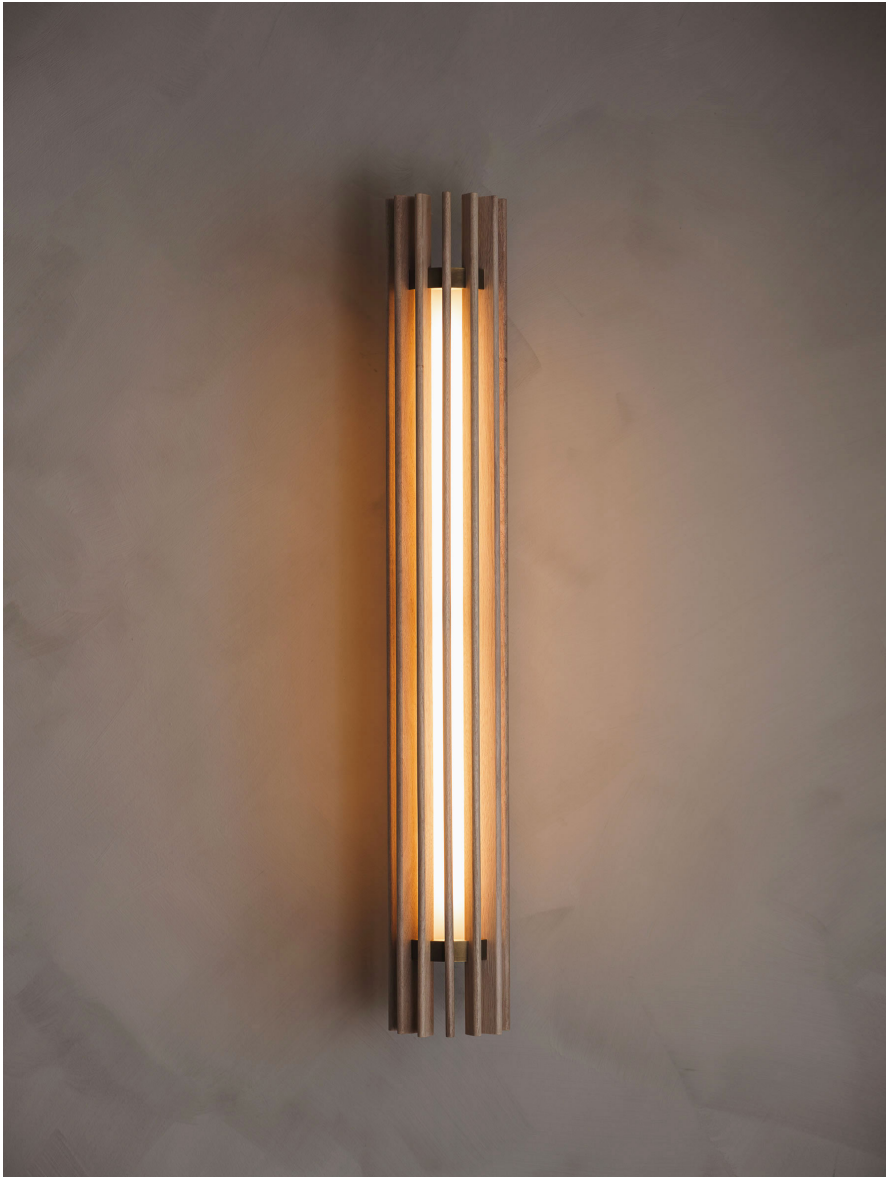


Beacon 30" Sconce



ALLIED MAKER

WAL-044



SALES@ALLIEDMAKER.COM

(212) 334-7333

81 FRANKLIN ST. NYC

HANDCRAFTED IN USA

**DESCRIPTION**

First released in 2016, we're excited to re-introduce our classic Beacon 30" Sconce with completely re-engineered and upgraded hardware. Notably, a solid brass 5-axis machined ring holds 11 individual slats of high-quality American Hardwoods. Each hardwood slat has an embedded aluminum core structure that holds an incredibly solid joint; worthy of a heirloom object and capable of withstanding even your most abusive electrician. Additionally, our patent pending French-cleat backplate system offers a seamless aesthetic on the wall, which is then expertly patinaed by our finishing artisans in New York. The latest AC LED technology offers incredibly smooth dimming and bright light output, which is diffused through its inner borosilicate frosted glass tube.

**MATERIALS**

Brass, Glass, Wood

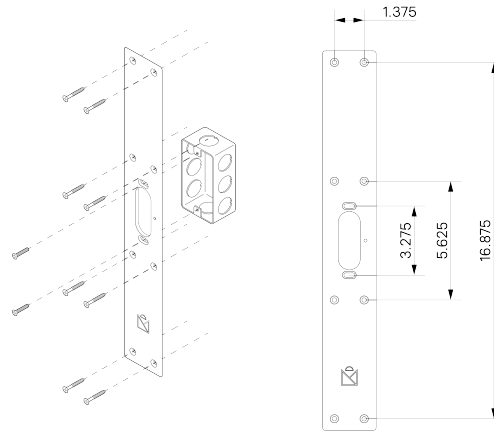
**METAL FINISHES**

Available in All Standard Metal Finishes

**WOOD FINISHES**

Available in All Standard Wood Finishes

**MOUNTING HARDWARE DIAGRAM**



**MOUNTING**

Single Gang J-Box only

**WEIGHT**

17.75 lb

**LAMPING**

Integrated AC LED Module

**LAMP QUANTITY**

2

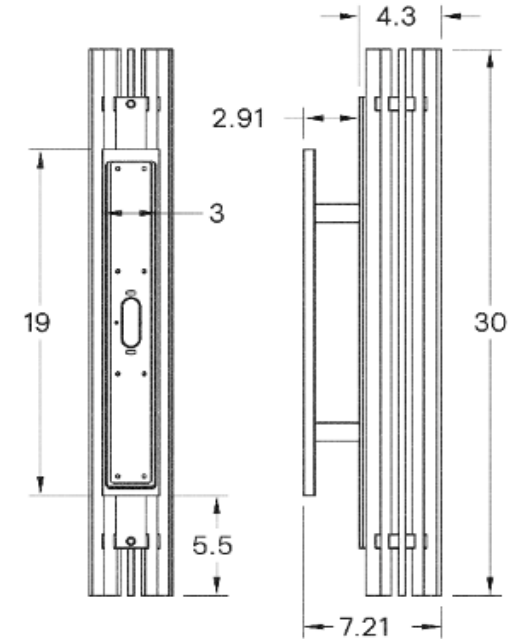
**BRIGHTNESS**

1800 Lumens

**DIMMING**

LED+

**DIMENSIONAL DRAWING**



**CERTIFICATIONS**

CE, Damp Locations, UL and cUL Certified

