

Beacon 17" Pendant



ALLIED MAKER

CEI-099



Beacon 17" Pendant



CEI-099

MATERIALS

Brass, Glass, Wood

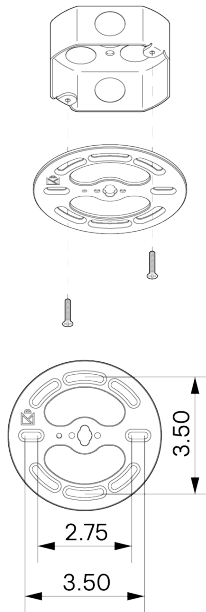
METAL FINISHES

Available in All Standard Metal Finishes

WOOD FINISHES

Available in All Standard Wood Finishes

MOUNTING HARDWARE DIAGRAM



MOUNTING

Universal

WEIGHT

9.5 lb

LAMPING

GU-10 Bi-Pin Base. Type MR16 Lamps

BULB INCLUDED (120V USA)

Emery Allen 7W GU10 Bulb

BULB INCLUDED (240V EU)

Emery Allen 7W GU10 240V Bulb

LAMP QUANTITY

1

BRIGHTNESS

500 Lumens

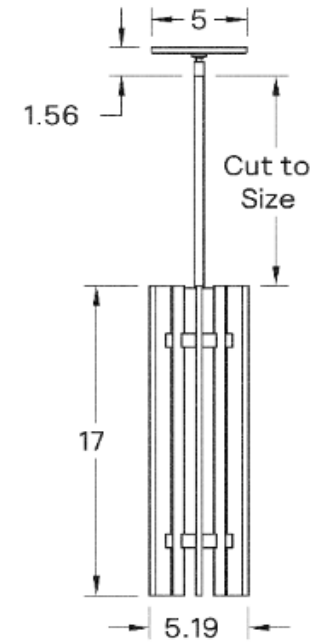
MAX WATTAGE

7W

DIMMING

Universal

DIMENSIONAL DRAWING



CERTIFICATIONS

CE, Damp Locations, UL and cUL Certified

