

Beacon 16" Half-Round

  
ALLIED MAKER

WAL-081



[SALES@ALLIEDMAKER.COM](mailto:SALES@ALLIEDMAKER.COM)

(212) 334-7333

81 FRANKLIN ST. NYC

HANDCRAFTED IN USA

# Beacon 16" Half-Round

## DESCRIPTION

Taking inspiration from prolific mid-century woodworking masters such as George Nakashima, the Beacon collection features premium American hardwood slats joined to precisely carved rings. The cylindrical form and vertical lines direct light away from the eyes, reducing glare and highlighting the beauty of the natural wood tones while housing a glass diffuser inside.

The Beacon 16" Half-Round is a wall sconce under 4" in depth. Its shallow footprint makes it adaptable to various spaces with a bright and well-diffused throw of light. The LED light source uses the latest cutting-edge technology for flicker-free dimming, beautiful color rendering, and a future-proof design for easy replacements of the module.

## MATERIALS

Brass, Glass, Wood

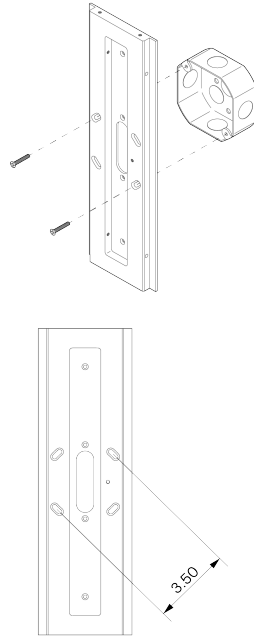
## METAL FINISHES

Available in All Standard Metal Finishes

## WOOD FINISHES

Available in All Standard Wood Finishes

## MOUNTING HARDWARE DIAGRAM



## MOUNTING

Universal

## WEIGHT

8.25 lb

## LAMPING

Integrated AC LED Module

## LAMP QUANTITY

1

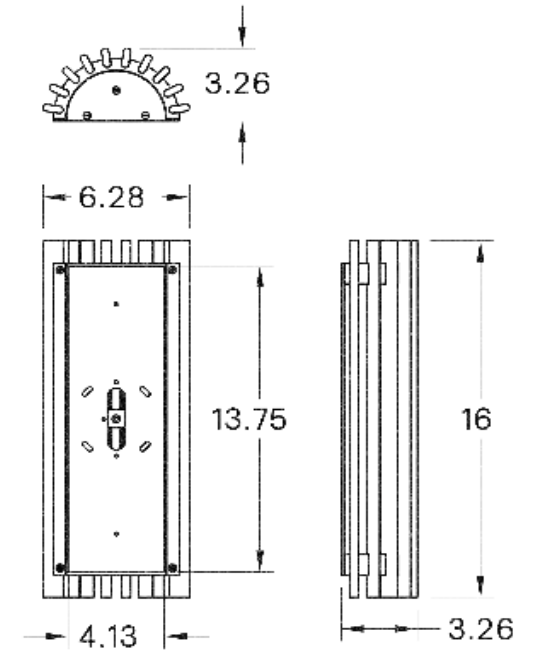
## BRIGHTNESS

700 Lumens

## DIMMING

LED+

## DIMENSIONAL DRAWING



## CERTIFICATIONS

ADA Compliant, CE, Damp Locations, UL and cUL Certified

