





**MATERIALS**

Brass, Glass

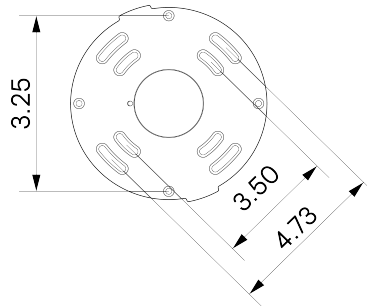
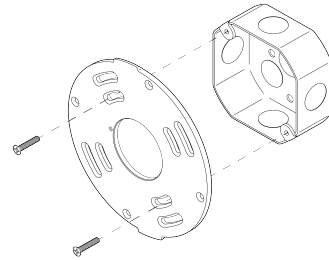
**METAL FINISHES**

Available in All Standard Metal Finishes

**GLASS FINISHES**

Matte White, Opal

**MOUNTING HARDWARE DIAGRAM**



**MOUNTING**

Universal

**WEIGHT**

8.75 lb

**LAMPING**

Integrated AC LED Module

**LAMP QUANTITY**

1

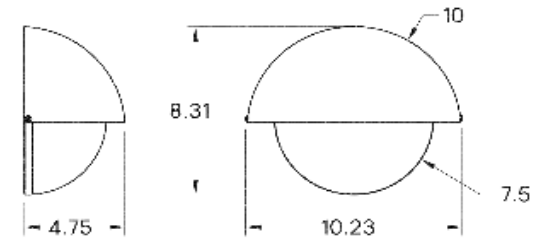
**BRIGHTNESS**

900 Lumens

**DIMMING**

LED+

**DIMENSIONAL DRAWING**



**CERTIFICATIONS**

CE, Damp Locations, UL and cUL Certified

