

Atelier Pendant 20"



ALLIED MAKER

CEI-090



# Atelier Pendant 20"



ALLIED MAKER

CEI-090

## MATERIALS

Brass, Glass

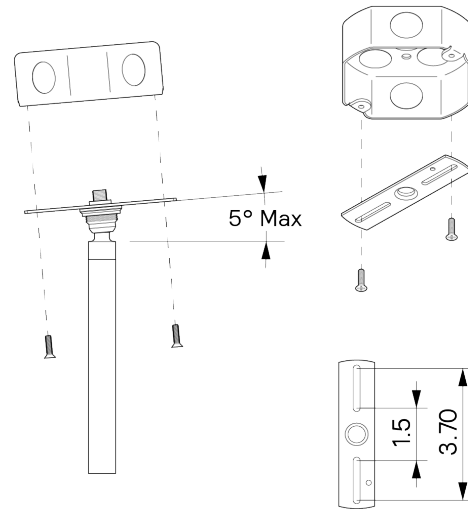
## METAL FINISHES

Available in All Standard Metal Finishes

## GLASS FINISHES

Matte White, Opal

## MOUNTING HARDWARE DIAGRAM



## MOUNTING

Universal

## WEIGHT

33.75 lb

## LAMPING

E26 or E27 Screw Base. Type A Lamps

**BULB INCLUDED (120V USA)**

Philips 9.5W Bulb

**BULB INCLUDED (240V EU)**

Emery Allen 8.5W 240V Bulb

## LAMP QUANTITY

3

## BRIGHTNESS

3300 Lumens

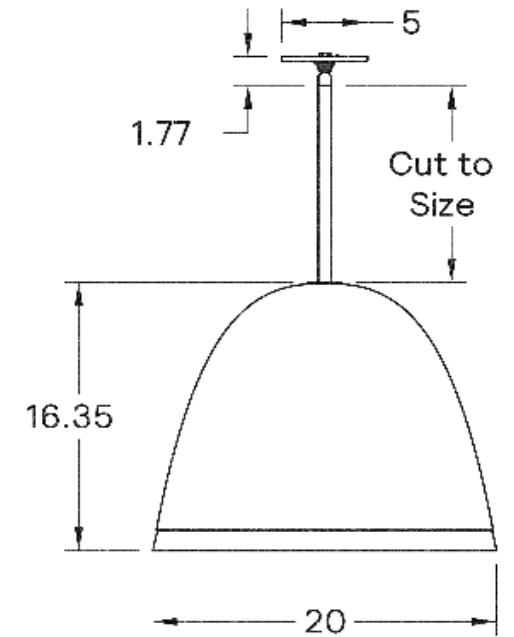
## MAX WATTAGE

15W

## DIMMING

Universal

## DIMENSIONAL DRAWING



## CERTIFICATIONS

CE, Damp Locations, UL and cUL Certified

