

Atelier Pendant 14"

  
ALLIED MAKER

CEI-023



SALES@ALLIEDMAKER.COM

(212) 334-7333

81 FRANKLIN ST. NYC

HANDCRAFTED IN USA

# Atelier Pendant 14"

## DESCRIPTION

A hand-spun brass parabolic shade perfectly slips over a cast-glass dome. A line of glass is revealed from the profile; inciting a look underneath into a seemingly endless void of glowing glass.

## MATERIALS

Brass, Glass

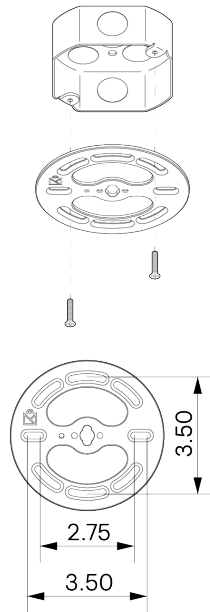
## METAL FINISHES

Available in All Standard Metal Finishes

## GLASS FINISHES

Matte White, Opal

## MOUNTING HARDWARE DIAGRAM



## MOUNTING

Universal

## WEIGHT

14.75 lb

## LAMPING

G8 Bi-Pin Base. Type T Lamps

**BULB INCLUDED (120V USA)**

Emery Allen 4.5W G8 Bulb

**BULB INCLUDED (240V EU)**

Emery Allen 4.5W G8 240V Bulb

**LAMP QUANTITY**

4

**BRIGHTNESS**

1800 Lumens

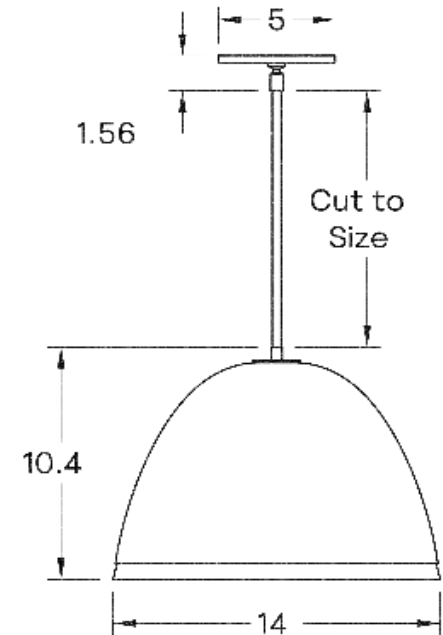
**MAX WATTAGE**

8W

**DIMMING**

LED+

## DIMENSIONAL DRAWING



## CERTIFICATIONS

CE, Damp Locations, UL  
and cUL Certified

