

Apulia 5" Flush Mount



WAC-059



Apulia 5" Flush Mount



WAC-059

DESCRIPTION

Apulia is a simple design made of 3 high quality ingredients. An optical-quality glass magnifying lens; a machined brass cover; and an aluminum LED module. Apulia takes a familiar can-light shape and elevates it with the best materials, thoughtful engineering, and artisan workmanship.

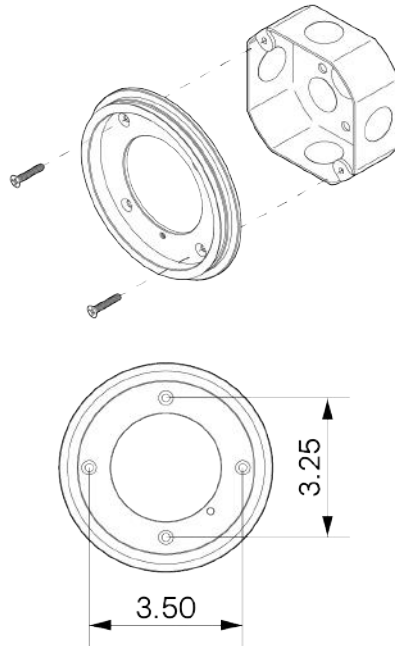
MATERIALS

Aluminum, Brass, Glass

METAL FINISHES

Available in All Standard Metal Finishes

MOUNTING HARDWARE DIAGRAM



LAMPING

Integrated AC LED Module

LAMP QUANTITY

1

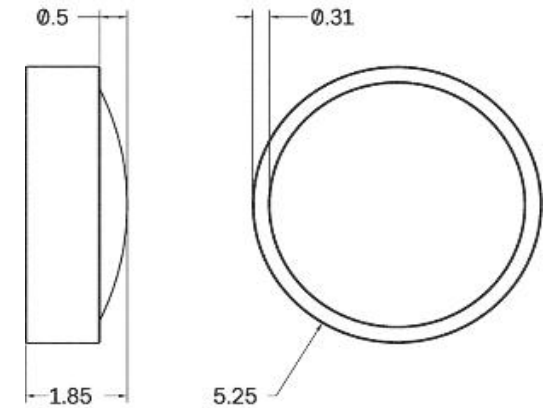
BRIGHTNESS

800 Lumens

DIMMING

LED+

DIMENSIONAL DRAWING



MOUNTING

Universal

WEIGHT

3 lb

CERTIFICATIONS

CE, Damp Locations,
Outdoor and Wet
Locations, UL and cUL
Certified

