

Aperture Table Lamp


ALLIED MAKER

TAB-002



Aperture Table Lamp



TAB-002

DESCRIPTION

The Aperture series was created to provide a beautiful quality of light by combining bounce and ambient glow. The light source is held in a hand-spun perforated brass dome on one side, while a hand-bent tube arcs around the other; Diffusing and bouncing light within a hand-bent glass shade.

MATERIALS

Brass, Glass, Wood

METAL FINISHES

Available in All Standard Metal Finishes

GLASS FINISHES

Opal, Skytek

WOOD FINISHES

Available in All Standard Wood Finishes

MOUNTING

Universal

WEIGHT

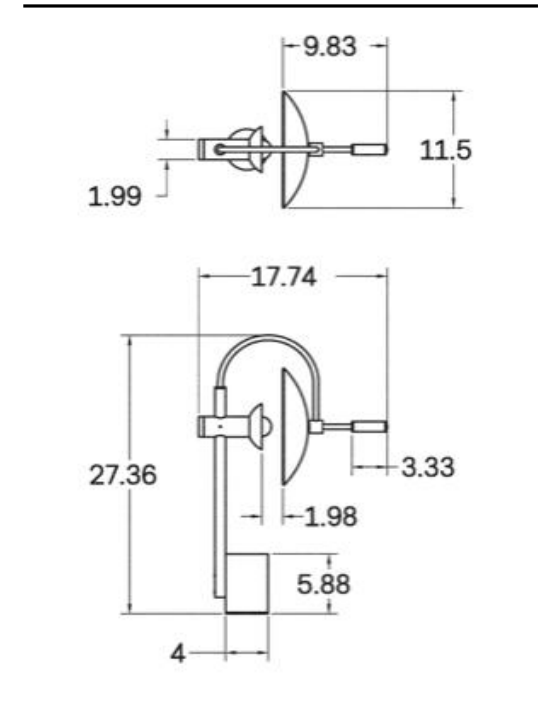
29.25 lb

LAMPING

E12 or E14 Screw Base. Type G16.5 Lamps

BULB INCLUDED (120V USA)

Feit 5.5W E12 Bulb



CERTIFICATIONS

CE, Damp Locations, UL and cUL Certified



DIMENSIONAL DRAWING