



Aperture Sconce



WAL-006

DESCRIPTION

The Aperture series was created to provide a beautiful quality of light by combining bounce and ambient glow. The light source is held in a hand-spun perforated brass dome on one side, while a hand-bent tube arcs around the other; Diffusing and bouncing light within a hand-bent glass shade.

MATERIALS

Brass, Glass

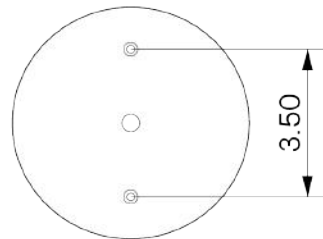
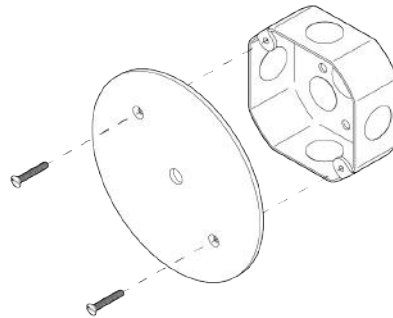
METAL FINISHES

Available in All Standard Metal Finishes

GLASS FINISHES

Opal, Skytek

MOUNTING HARDWARE DIAGRAM

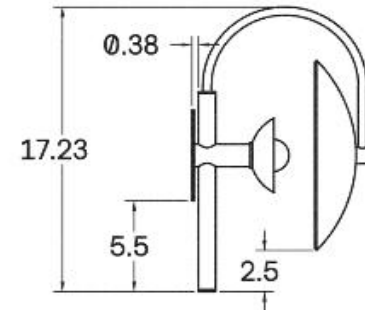
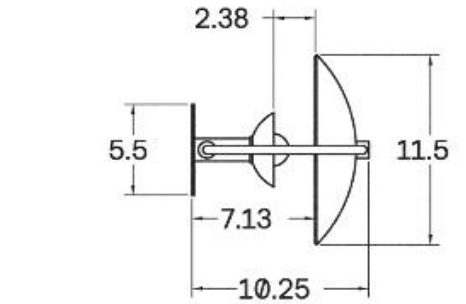


LAMPING

E12 or E14 Screw Base. Type G16.5 Lamps

BULB INCLUDED (120V USA)

Feit 5.5W E12 Bulb



MOUNTING

Universal

WEIGHT

5.25 lb

CERTIFICATIONS

CE, Damp Locations, UL and cUL Certified



DIMENSIONAL DRAWING