

Alabaster Eclipse 10"



WAC-061



# Alabaster Eclipse 10"



WAC-061

## DESCRIPTION

Designed as a rigid wall or ceiling mounted fixture, Eclipse holds a powerful light source that diffuses through an Alabaster shade.

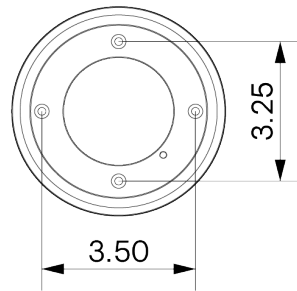
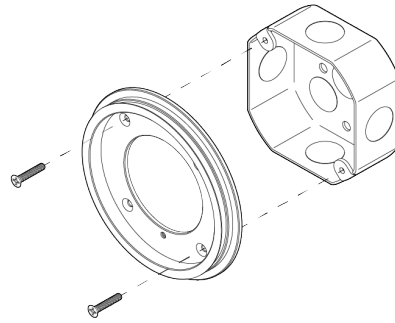
## MATERIALS

Alabaster, Aluminum, Brass, Glass, Steel

## METAL FINISHES

Available in All Standard Metal Finishes

## MOUNTING HARDWARE DIAGRAM



## MOUNTING

Universal

## WEIGHT

6 lb

## LAMPING

Integrated AC LED Module

## LAMP QUANTITY

1

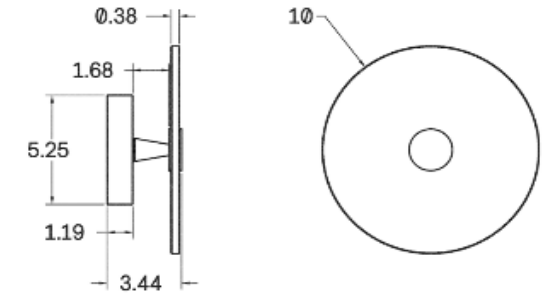
## BRIGHTNESS

750 Lumens

## DIMMING

LED+

## DIMENSIONAL DRAWING



## CERTIFICATIONS

CE, Damp Locations, Outdoor and Wet Locations, UL and cUL Certified

